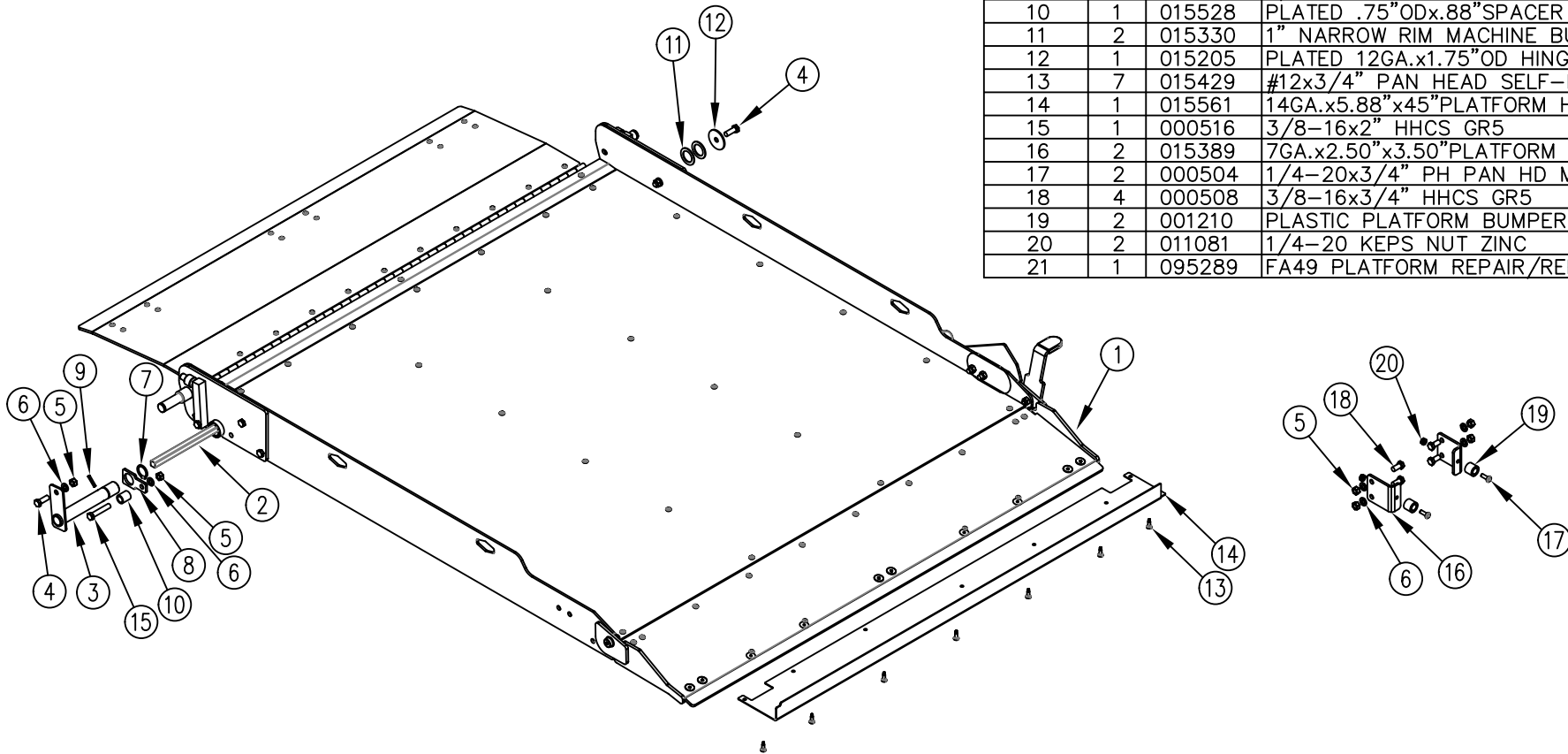
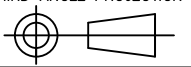


ITEM NO.	QTY.	PART NO.	DESCRIPTION
1	1	015190	PLATFORM COMPLETE INTERNAL VAN FA49
2	1	015143	1/2"SQ.x46" TORSION SPRING INTERNAL
3	1	015428	PLATED SPRING HOLDER WELDMENT (DR) V2
4	2	000509	3/8-16x1" HHCS GR5
5	6	000550	3/8-16 GR5 HEX NUT
6	6	000572	3/8" SPRING LOCK WASHER
7	1	015200	1" EXTERNAL PLATED SNAP RING-HEAVY
8	1	015206	SNAP RING WASHER-ZINC PLATED
9	1	014466	3/16"DIA.x1" ROLL PIN PLATED
10	1	015528	PLATED .75"ODx.88"SPACER V2
11	2	015330	1" NARROW RIM MACHINE BUSHING-ZP
12	1	015205	PLATED 12GA.x1.75"OD HINGE WASHER
13	7	015429	#12x3/4" PAN HEAD SELF-DRILLING SCREW ZP
14	1	015561	14GA.x5.88"x45"PLATFORM HINGE COVER (V2)
15	1	000516	3/8-16x2" HHCS GR5
16	2	015389	7GA.x2.50"x3.50"PLATFORM STOP ANGLE
17	2	000504	1/4-20x3/4" PH PAN HD MS
18	4	000508	3/8-16x3/4" HHCS GR5
19	2	001210	PLASTIC PLATFORM BUMPER STOP(RAIL)
20	2	011081	1/4-20 KEPS NUT ZINC
21	1	095289	FA49 PLATFORM REPAIR/REPLACEMENT INST.




A	7/3/19	RELEASED TO PRODUCTION	GDB	2221	
REV.	DATE	CHANGE RECORD	BY	APPVD	ECN

THIRD ANGLE PROJECTION

 UNLESS OTHERWISE SPECIFIED
 DIMENSIONS ARE IN INCHES
 TOLERANCES:
 FRACTIONAL ±1/16
 ANGULAR MACH ±1°
 BEND ±1°
 TWO PLACE DECIMAL ±0.030
 THREE PLACE DECIMAL ±0.010

DRAWN BY
GDB
 DRAWN/DATE
7/3/19
 APPVD/DATE
—
 DO NOT SCALE
DRAWING

NOTES:

 TITLE
 REPLACEMENT V2 FA 49
 PLATFORM

WOODBINE MFG. CO.
 BUS BROWN DRIVE
 WOODBINE, IOWA 51579

 SCALE 1:14
 WEIGHT —
 PART NO. 16134

THE INFORMATION HERE IS CONFIDENTIAL AND MUST NOT BE USED IN ANY WAY DETRIMENTAL TO THE INTEREST OF WOODBINE MFG.