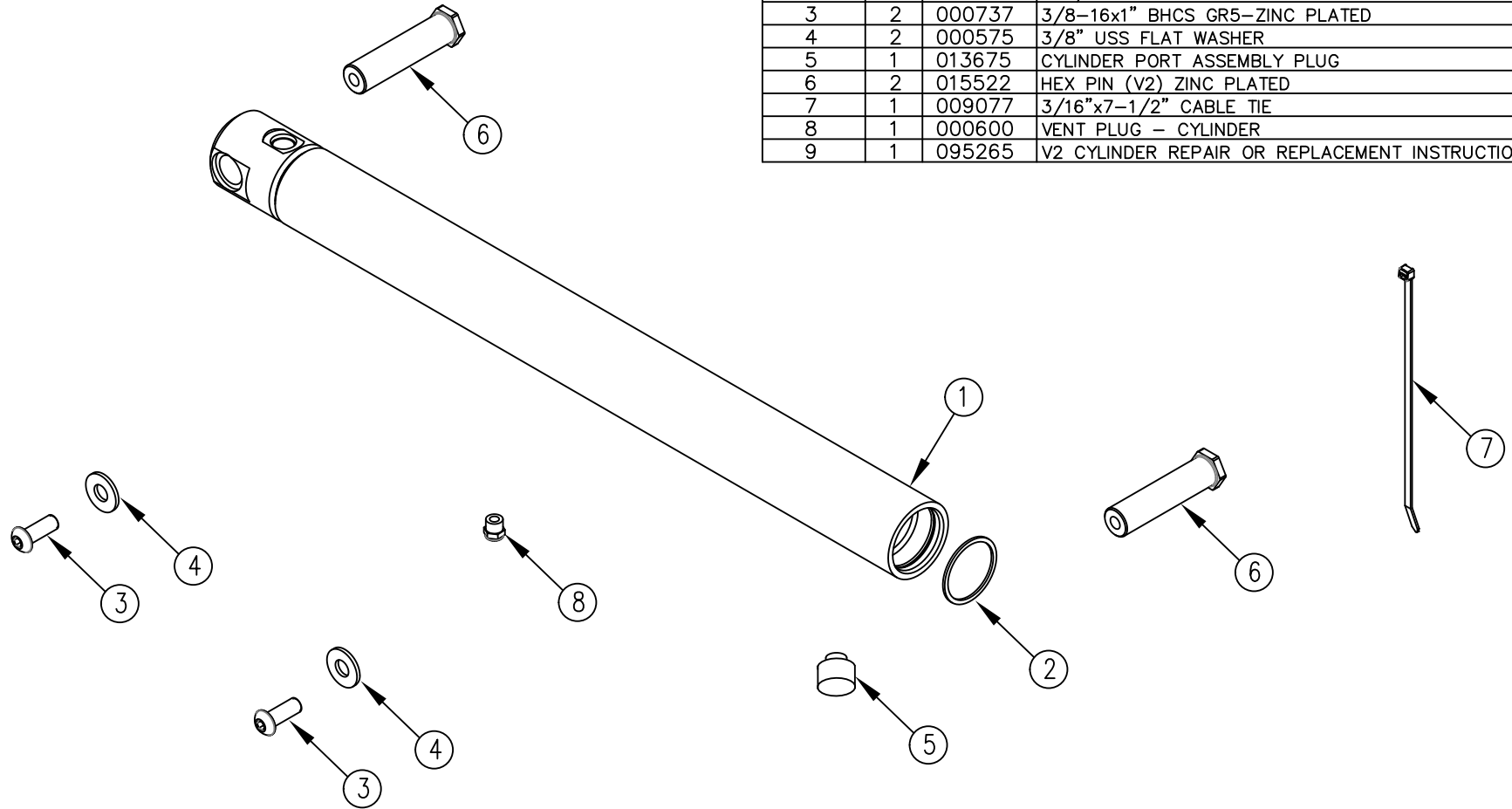
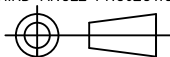



ITEM NO.	QTY.	PART NO.	DESCRIPTION
1	1	015338	CYLINDER TUBE WELDMENT(V2)
2	1	015175	1-5/8" INTERNAL SPIRAL RING-V2
3	2	000737	3/8-16x1" BHCS GR5-ZINC PLATED
4	2	000575	3/8" USS FLAT WASHER
5	1	013675	CYLINDER PORT ASSEMBLY PLUG
6	2	015522	HEX PIN (V2) ZINC PLATED
7	1	009077	3/16"x7-1/2" CABLE TIE
8	1	000600	VENT PLUG - CYLINDER
9	1	095265	V2 CYLINDER REPAIR OR REPLACEMENT INSTRUCTIONS



					THIRD ANGLE PROJECTION 	DRAWN BY GDB	NOTES: _____ _____ _____	WOODBINE MFG. CO. BUS BROWN DRIVE WOODBINE, IOWA 51579 	
					UNLESS OTHERWISE SPECIFIED	DRAWN/DATE 5/22/19			
					DIMENSIONS ARE IN INCHES TOLERANCES: FRACTIONAL ±1/16 ANGULAR MACH ±1° BEND ±1° TWO PLACE DECIMAL ±0.030 THREE PLACE DECIMAL ±0.010	APPVD/DATE —			
A	5/22/19	RELEASED TO PRODUCTION	GDB	2221		DO NOT SCALE DRAWING	TITLE V2 REPLACEMENT CYLINDER BARREL		
REV.	DATE	CHANGE RECORD	BY	APPVD	ECN	THE INFORMATION HERE IS CONFIDENTIAL AND MUST NOT BE USED IN ANY WAY DETRIMENTAL TO THE INTEREST OF WOODBINE MFG.	SCALE 1: 4	WEIGHT —	PART NO. 16132