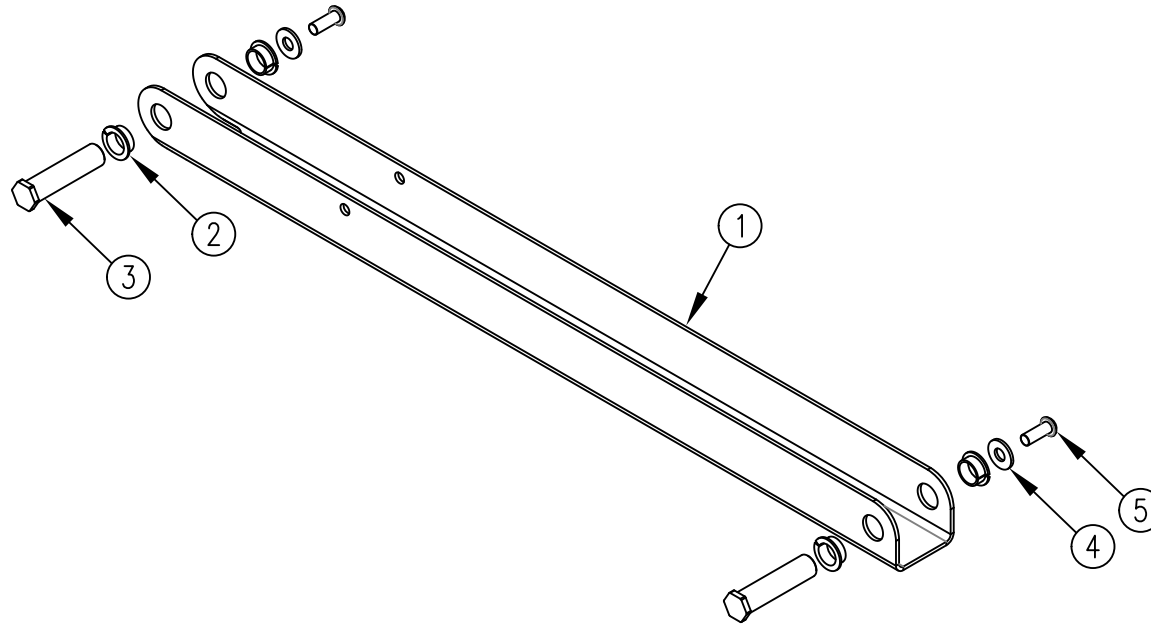
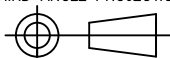



ITEM NO.	QTY.	PART NO.	DESCRIPTION
1	1	015102	10GA.x6.50"x3.3"LOWER ARM-V2
2	4	015080	7/8x3/4x3/8" SPLIT METAL FLANGE BUSHING
3	2	015522	PLATED .75"DIA.x3.19" - 7/8"HEX PIN (V2)
4	2	000575	3/8" USS FLAT WASHER
5	2	000737	3/8-16x1" BHCS GR5-ZINC PLATED



					THIRD ANGLE PROJECTION 	DRAWN BY GDB	NOTES: _____ _____ _____	WOODBINE MFG. CO. BUS BROWN DRIVE WOODBINE, IOWA 51579 	
					UNLESS OTHERWISE SPECIFIED	DRAWN/DATE 5/22/19			
					DIMENSIONS ARE IN INCHES TOLERANCES: FRACTIONAL ±1/16 ANGULAR MACH ±1° BEND ±1° TWO PLACE DECIMAL ±0.030 THREE PLACE DECIMAL ±0.010	APPVD/DATE —			
A	5/22/19	RELEASED TO PRODUCTION	GDB	2221		DO NOT SCALE DRAWING	TITLE REPLACEMENT V2 LOWER ARM		
REV.	DATE	CHANGE RECORD	BY	APPVD	ECN	THE INFORMATION HERE IS CONFIDENTIAL AND MUST NOT BE USED IN ANY WAY DETRIMENTAL TO THE INTEREST OF WOODBINE MFG.	SCALE 1:6	WEIGHT —	PART NO. 16126