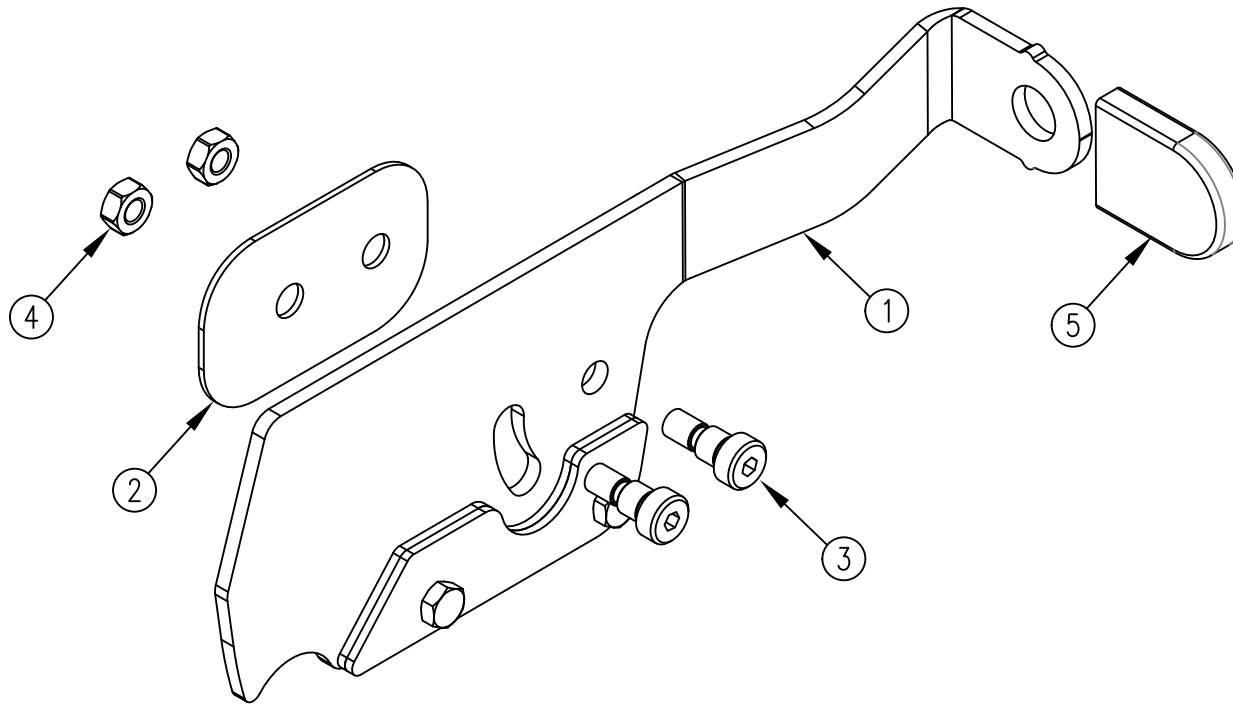
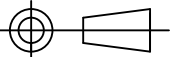



ITEM NO.	QTY.	PART NO.	DESCRIPTION
1	1	015211	RETENTION RAMP LATCH ASSY.
2	1	015468	PLATED 14GA.x2.50"x5"RR LATCH BACKER(V2)
3	2	000991	3/8"x3/8" SHOULDER BOLT-ZINC PLATED
4	2	000606	5/16-18 USS CROWN LOCK NUT
5	1	008180	1-3/4" RED HANDLE GRIP



						THIRD ANGLE PROJECTION 	DRAWN BY GDB	NOTES: _____ _____ _____	WOODBINE MFG. CO. BUS BROWN DRIVE WOODBINE, IOWA 51579 	
					UNLESS OTHERWISE SPECIFIED	DRAWN/DATE 7/30/19	APPVD/DATE -			TITLE REPLACEMENT V2 PLATFORM TAPER LATCH
					DIMENSIONS ARE IN INCHES TOLERANCES: FRACTIONAL ±1/16 ANGULAR MACH ±1° BEND ±1° TWO PLACE DECIMAL ±0.030 THREE PLACE DECIMAL ±0.010	DO NOT SCALE DRAWING				
A	7/30/19	RELEASED TO PRODUCTION	GDB	2221						
REV.	DATE	CHANGE RECORD	BY	APPVD	ECN	THE INFORMATION HERE IS CONFIDENTIAL AND MUST NOT BE USED IN ANY WAY DETRIMENTAL TO THE INTEREST OF WOODBINE MFG.		SCALE 1:2	WEIGHT -	PART NO. 16116