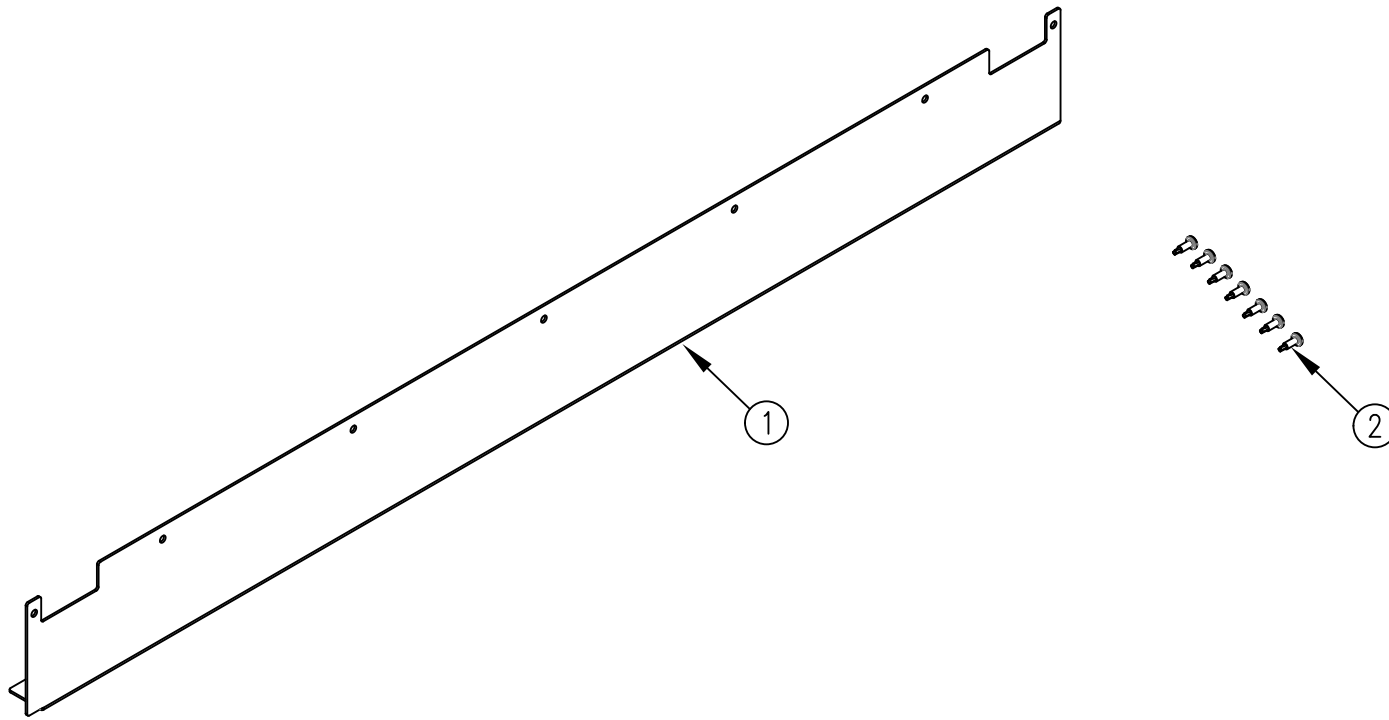


ITEM NO.	QTY.	PART NO.	DESCRIPTION
1	1	015561	14GA.x5.88"x45"PLATFORM HINGE COVER (V2)
2	7	015429	#12x3/4" PAN HEAD SELF-DRILLING SCREW ZP



						THIRD ANGLE PROJECTION 	DRAWN BY GDB	NOTES: _____ _____ _____	WOODBINE MFG. CO. BUS BROWN DRIVE WOODBINE, IOWA 51579 	
						UNLESS OTHERWISE SPECIFIED DIMENSIONS ARE IN INCHES TOLERANCES: FRACTIONAL ±1/16 ANGULAR MACH ±1° BEND ±1° TWO PLACE DECIMAL ±0.030 THREE PLACE DECIMAL ±0.010	DRAWN/DATE 5/17/19			TITLE REPLACEMENT V2 TORSION SPRING COVER
							APPVD/DATE —			DO NOT SCALE DRAWING
A	5/17/19	RELEASED TO PRODUCTION	GDB	2221						
REV.	DATE	CHANGE RECORD	BY	APPVD	ECN	THE INFORMATION HERE IS CONFIDENTIAL AND MUST NOT BE USED IN ANY WAY DETRIMENTAL TO THE INTEREST OF WOODBINE MFG.		SCALE 1:6	WEIGHT —	PART NO. 16114