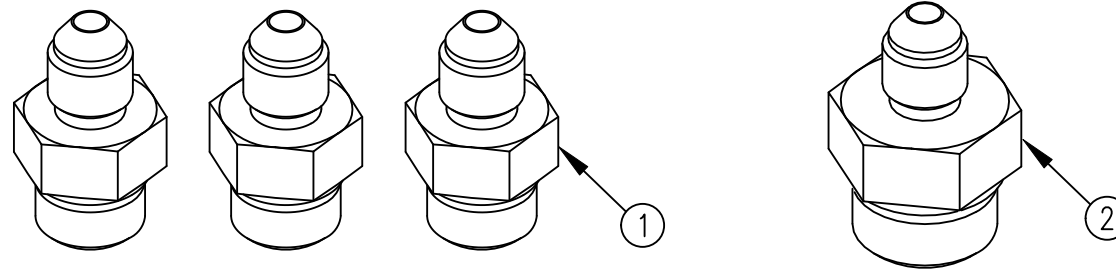
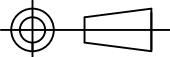



ITEM NO.	QTY.	PART NO.	DESCRIPTION
1	3	013371	04MJIC X 06MORB ADAPTER(SAE 070120)
2	1	016498	04MJIC X 08MORB ADAPTER



					THIRD ANGLE PROJECTION 	DRAWN BY GDB	NOTES: _____ _____ _____	WOODBINE MFG. CO. BUS BROWN DRIVE WOODBINE, IOWA 51579 	
					UNLESS OTHERWISE SPECIFIED	DRAWN/DATE 5/17/19			
					DIMENSIONS ARE IN INCHES TOLERANCES: FRACTIONAL ±1/16 ANGULAR MACH ±1° BEND ±1° TWO PLACE DECIMAL ±0.030 THREE PLACE DECIMAL ±0.010	APPVD/DATE —			
B	10/19/20	ADDED (2) 013371 AND (1) 016498	GDB	2467		DO NOT SCALE DRAWING	TITLE REPLACEMENT V2 FLOW DIVIDER FITTING		
A	5/17/19	RELEASED TO PRODUCTION	GDB	2221					
REV.	DATE	CHANGE RECORD	BY	APPVD	ECN	THE INFORMATION HERE IS CONFIDENTIAL AND MUST NOT BE USED IN ANY WAY DETRIMENTAL TO THE INTEREST OF WOODBINE MFG.	SCALE 1:1	WEIGHT —	PART NO. 16112