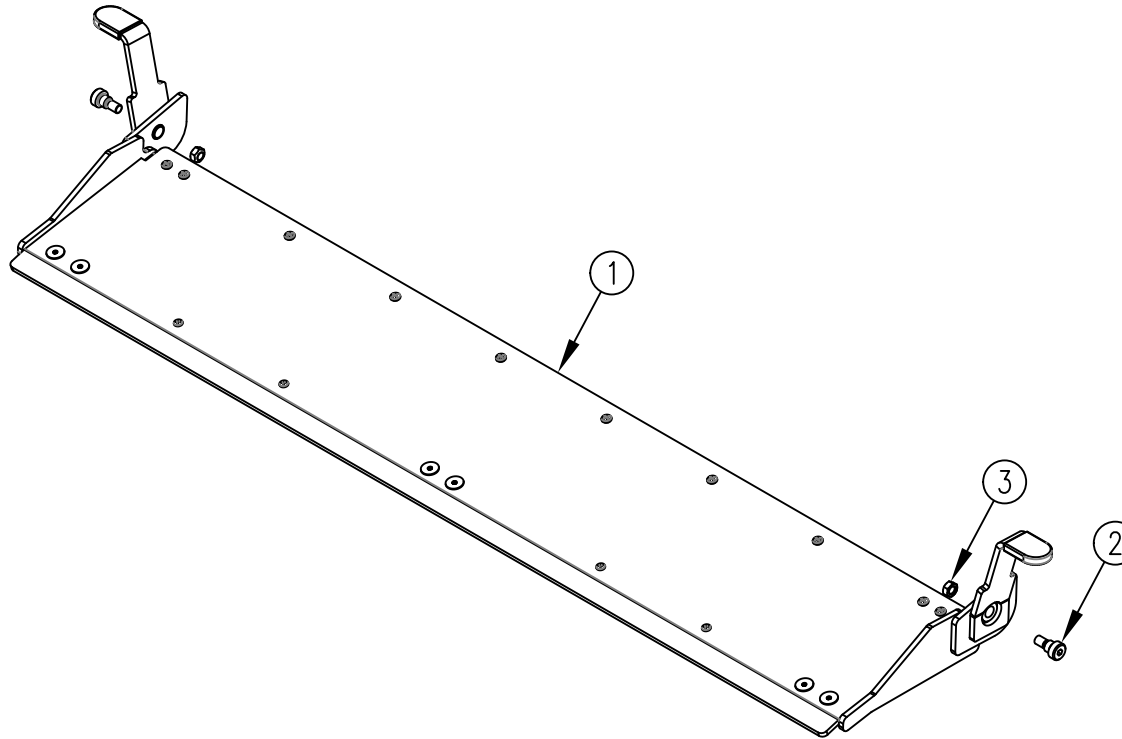
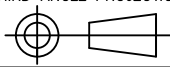



ITEM NO.	QTY.	PART NO.	DESCRIPTION
1	1	015315	RETENTION RAMP COMPLETE(FA34)V2
2	2	015068	1/2"x3/8" SHOULDER BOLT-ZINC PLATED
3	2	000605	3/8-16 USS CROWN LOCK NUT



					THIRD ANGLE PROJECTION 	DRAWN BY GDB	NOTES: _____ _____ _____	WOODBINE MFG. CO. BUS BROWN DRIVE WOODBINE, IOWA 51579 	
					UNLESS OTHERWISE SPECIFIED	DRAWN/DATE 5/17/19			
					DIMENSIONS ARE IN INCHES	APPVD/DATE —			
					TOLERANCES: FRACTIONAL ±1/16 ANGULAR MACH ±1° BEND ±1° TWO PLACE DECIMAL ±0.030 THREE PLACE DECIMAL ±0.010	DO NOT SCALE DRAWING			
A	5/17/19	RELEASED TO PRODUCTION	GDB	2221			TITLE REPLACEMENT V2 RETENTION RAMP (FA 34)		
REV.	DATE	CHANGE RECORD	BY	APPVD	ECN	THE INFORMATION HERE IS CONFIDENTIAL AND MUST NOT BE USED IN ANY WAY DETRIMENTAL TO THE INTEREST OF WOODBINE MFG.	SCALE 1:8	WEIGHT —	PART NO. 16108