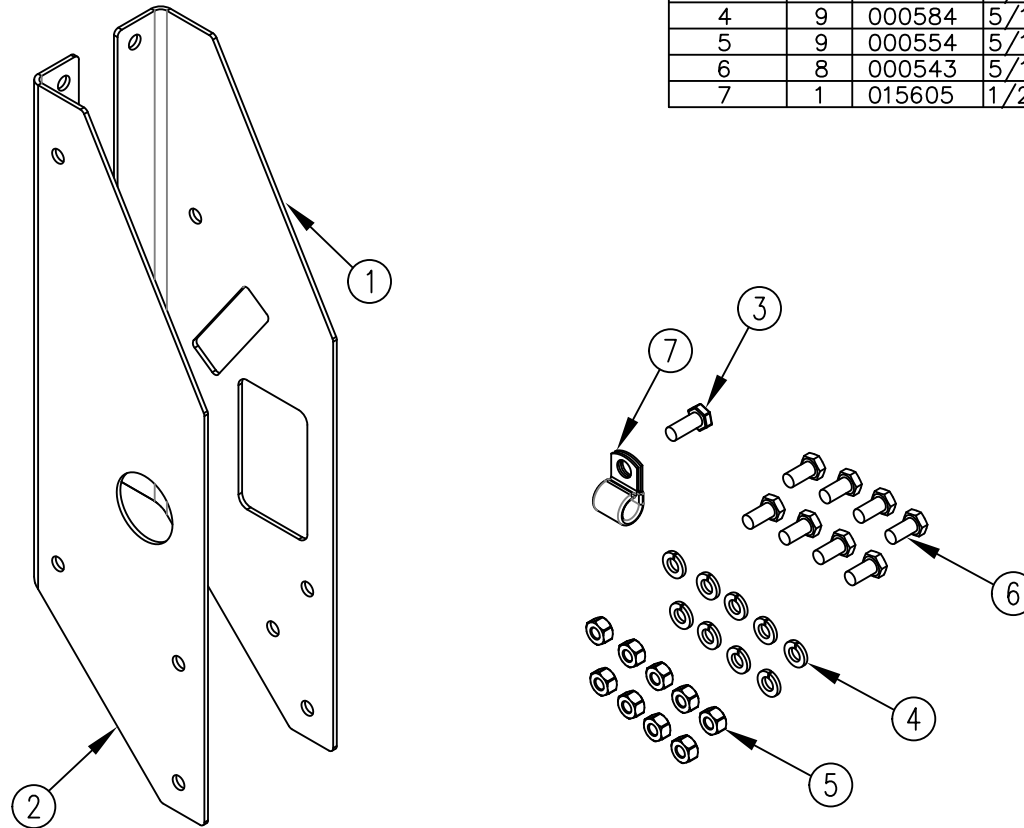


ITEM NO.	QTY.	PART NO.	DESCRIPTION
1	1	015296	PUMP BOX BRACKET WELDMENT-RIGHT-V2
2	1	015126	12GA.x6.25"x16.25" PUMP BOX BRACKET-LEFT
3	1	000586	5/16-18x3/4" HHCS GR5
4	9	000584	5/16" SPRING LOCK WASHER
5	9	000554	5/16-18 GR5 NUT (ZINC)
6	8	000543	5/16-18x5/8" HHCS GR5
7	1	015605	1/2" ID VINYL COATED LOOP CLAMP



					THIRD ANGLE PROJECTION 	DRAWN BY GDB	NOTES: _____ _____ _____	WOODBINE MFG. CO. BUS BROWN DRIVE WOODBINE, IOWA 51579 	
					UNLESS OTHERWISE SPECIFIED	DRAWN/DATE 5/17/19			
					DIMENSIONS ARE IN INCHES	APPVD/DATE -			
					TOLERANCES: FRACTIONAL ±1/16 ANGULAR MACH ±1° BEND ±1° TWO PLACE DECIMAL ±0.030 THREE PLACE DECIMAL ±0.010	DO NOT SCALE DRAWING			
A	5/17/19	RELEASED TO PRODUCTION	GDB	2221			TITLE REPLACEMENT V2 PUMP BOX BRACKET		
REV.	DATE	CHANGE RECORD	BY	APPVD	ECN	THE INFORMATION HERE IS CONFIDENTIAL AND MUST NOT BE USED IN ANY WAY DETRIMENTAL TO THE INTEREST OF WOODBINE MFG.	SCALE 1:4	WEIGHT -	PART NO. 16106