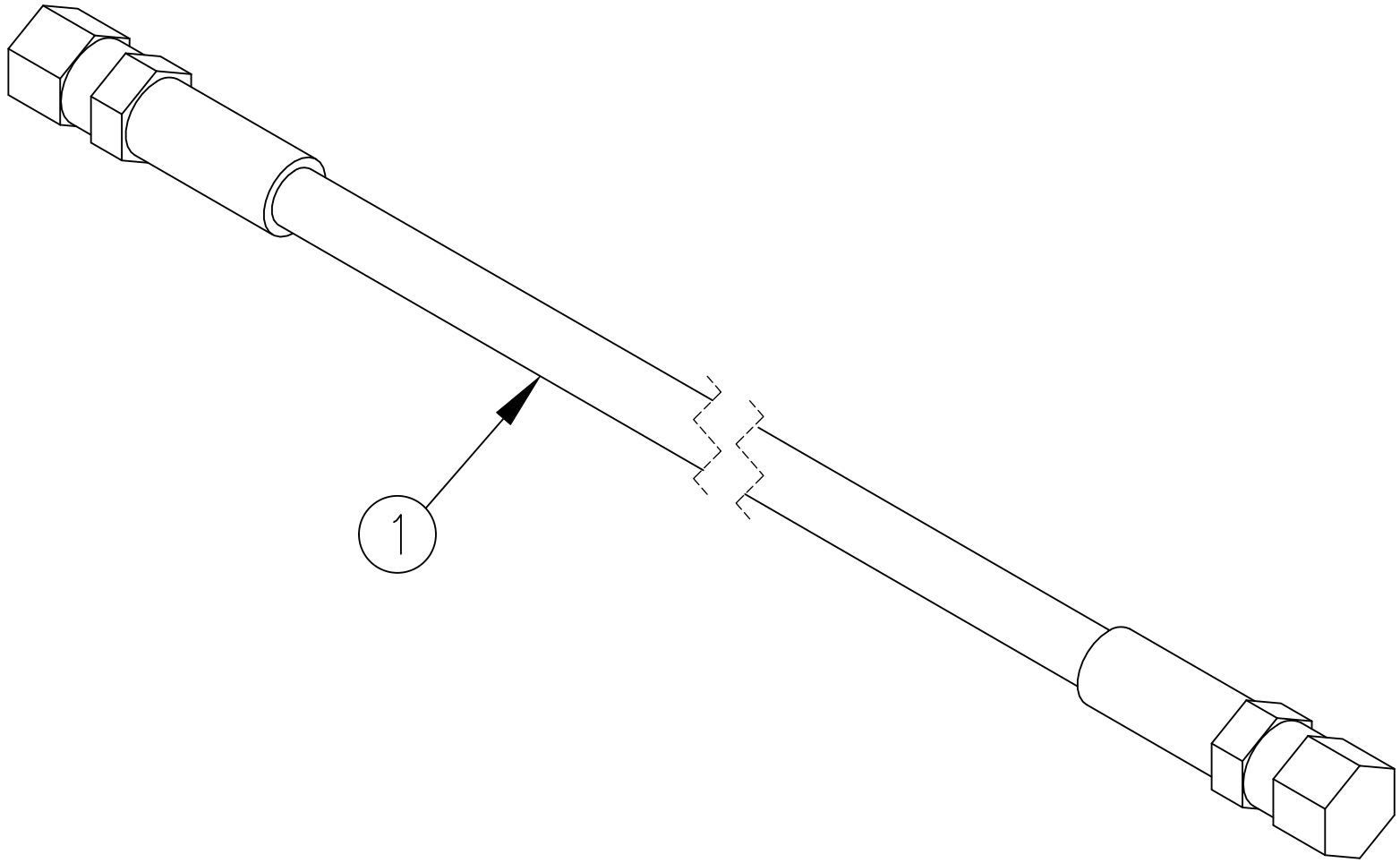
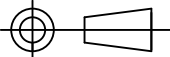



ITEM NO.	QTY.	PART NO.	DESCRIPTION
1	1	015290	1/8"x96" HYDRAULIC HOSE(V2)



						THIRD ANGLE PROJECTION 	DRAWN BY GDB	NOTES: _____ _____ _____	WOODBINE MFG. CO. BUS BROWN DRIVE WOODBINE, IOWA 51579 	
					UNLESS OTHERWISE SPECIFIED	DRAWN/DATE 4/10/19	APPVD/DATE —			
					DIMENSIONS ARE IN INCHES TOLERANCES: FRACTIONAL ±1/16 ANGULAR MACH ±1° BEND ±1° TWO PLACE DECIMAL ±0.030 THREE PLACE DECIMAL ±0.010	DO NOT SCALE DRAWING	TITLE REPLACEMENT V2 HYDRAULIC HOSE (96")			
B	6/4/20	UPDATED PART DESCRIPTION	GDB	2467						
A	4/10/19	RELEASED TO PRODUCTION	GDB	2221						
REV.	DATE	CHANGE RECORD	BY	APPVD	ECN	THE INFORMATION HERE IS CONFIDENTIAL AND MUST NOT BE USED IN ANY WAY DETRIMENTAL TO THE INTEREST OF WOODBINE MFG.		SCALE	WEIGHT —	PART NO. 16057