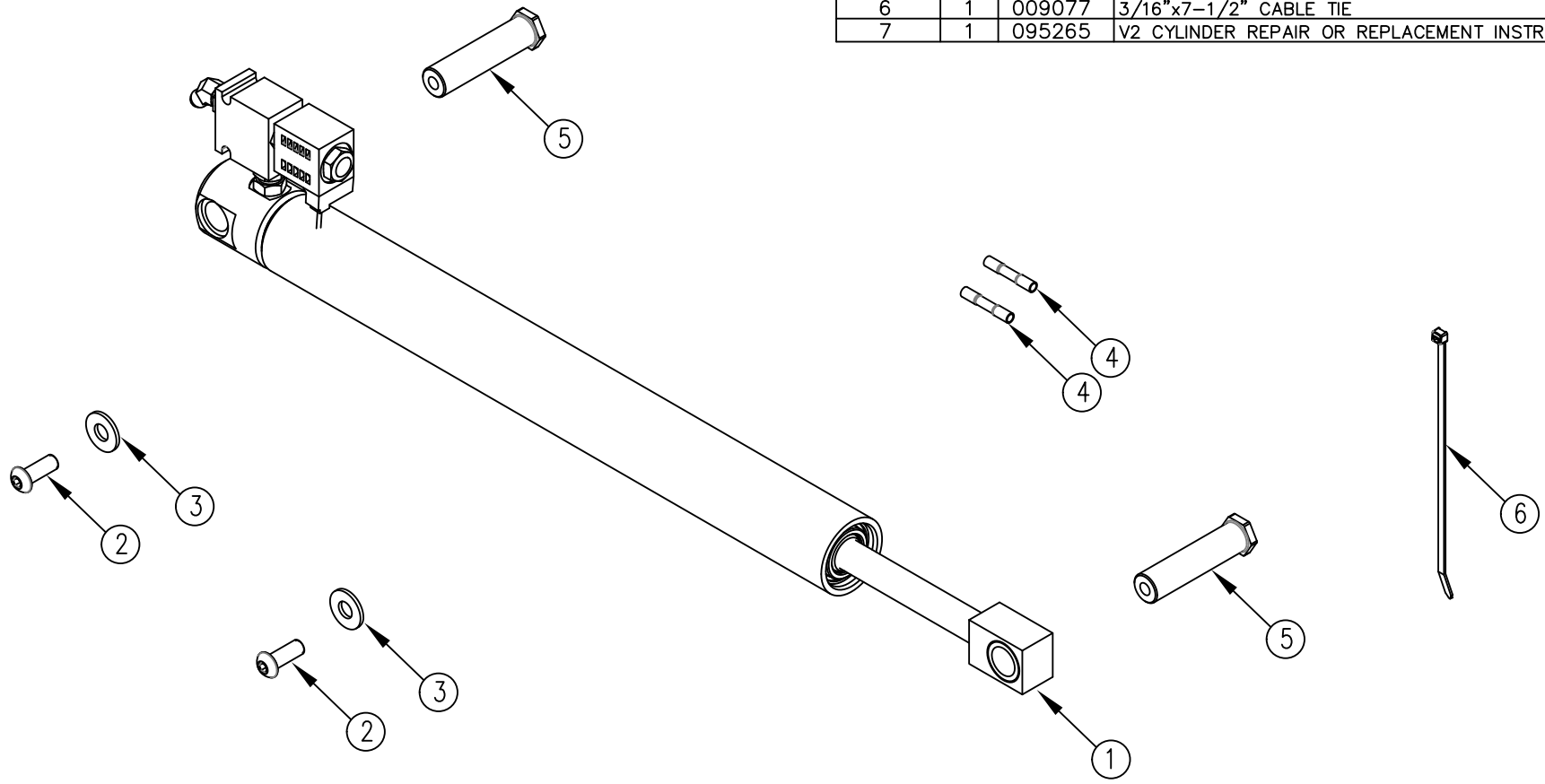


ITEM NO.	QTY.	PART NO.	DESCRIPTION
1	1	015177	CYLINDER COMPLETE W/ LOCK-V2
2	2	000737	3/8-16x1" BHCS GR5-ZINC PLATED
3	2	000575	3/8" USS FLAT WASHER
4	2	009089	16-14 HEAT SHRINK BUTT CONNECTOR
5	2	015522	HEX PIN (V2) ZINC PLATED
6	1	009077	3/16"x7-1/2" CABLE TIE
7	1	095265	V2 CYLINDER REPAIR OR REPLACEMENT INSTRUCTIONS



					THIRD ANGLE PROJECTION 	DRAWN BY GDB	NOTES: 	WOODBINE MFG. CO. BUS BROWN DRIVE WOODBINE, IOWA 51579 	
					UNLESS OTHERWISE SPECIFIED DIMENSIONS ARE IN INCHES TOLERANCES: FRACTIONAL ±1/16 ANGULAR MACH ±1° BEND ±1°	DRAWN/DATE 12/17/18			
					TWO PLACE DECIMAL ±0.030 THREE PLACE DECIMAL ±0.010	APPVD/DATE -			
B	3/15/19	ADDED (2) 015522, AND (1) 009077	GDB	2198		DO NOT SCALE DRAWING	TITLE V2 REPLACEMENT CYLINDER		
A	12/17/18	RELEASED TO PRODUCTION	GDB	2147					
REV.	DATE	CHANGE RECORD	BY	APPVD	ECN	THE INFORMATION HERE IS CONFIDENTIAL AND MUST NOT BE USED IN ANY WAY DETRIMENTAL TO THE INTEREST OF WOODBINE MFG.	SCALE 1:4	WEIGHT -	PART NO. 15876