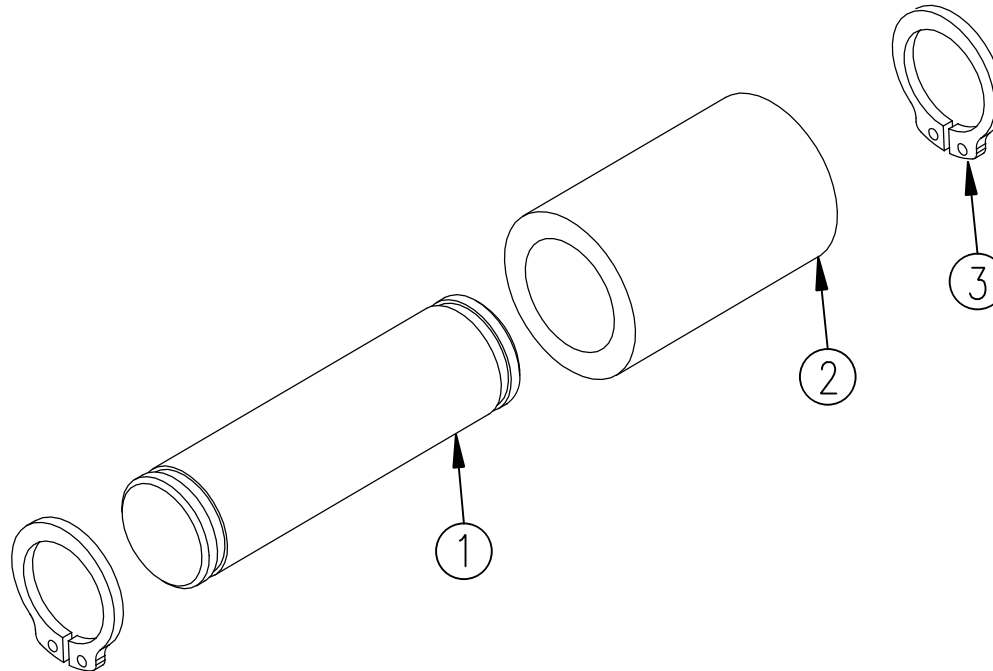


ITEM NO.	QTY.	PART NO.	DESCRIPTION
1	1	014964	.75"x3.25" CHROME PLATED LATCH PIN BF
2	1	014966	PLATED LATCH ROLLER 25/30 BF 2.25" LONG
3	2	002025	3/4" EXTERNAL SNAP RING(G2)PLATED



NOTES: USE THIS KIT FOR BF GATES BUILT AFTER 8/4/17 AND ALL 25/30 GBR GATES.

				THIRD ANGLE PROJECTION					WOODBINE MFG. CO. BUS BROWN DRIVE WOODBINE, IOWA 51579															
							SYMBOLY PER ANSI Y14.5		NOTES:															
				<table border="1"> <thead> <tr> <th>DECIMAL</th> <th>2PLC</th> <th>3PLC</th> </tr> </thead> <tbody> <tr> <td>MACHINE SAW, DRILL</td> <td>.030</td> <td>.015</td> </tr> <tr> <td>SHEAR, PUNCH FORM</td> <td>.060</td> <td>.030</td> </tr> <tr> <td>TORCH, WELDING ROUGH CAST</td> <td>.090</td> <td>.060</td> </tr> </tbody> </table>			DECIMAL	2PLC	3PLC	MACHINE SAW, DRILL	.030	.015	SHEAR, PUNCH FORM	.060	.030	TORCH, WELDING ROUGH CAST	.090	.060	DRAWN BY: MTC					
DECIMAL	2PLC	3PLC																						
MACHINE SAW, DRILL	.030	.015																						
SHEAR, PUNCH FORM	.060	.030																						
TORCH, WELDING ROUGH CAST	.090	.060																						
							DRAWN/DATE 8/17/17																	
							TITLE REPLACEMENT BIFOLD/GBR LATCH PIN		<small>THE INFORMATION HERE IS CONFIDENTIAL AND MUST NOT BE USED IN ANYWAY DETRIMENTAL TO THE INTEREST OF WOODBINE MFG.</small>															
A	8/17/17	RELEASED TO PRODUCTION		MTC		1932																		
REV.	DATE	CHANGE RECORD		BY	APPVD	ECN	DRAFT 2*	ANGULAR ±1*	SCALE 1:6	FIN. WT.	PART NO. 015275													