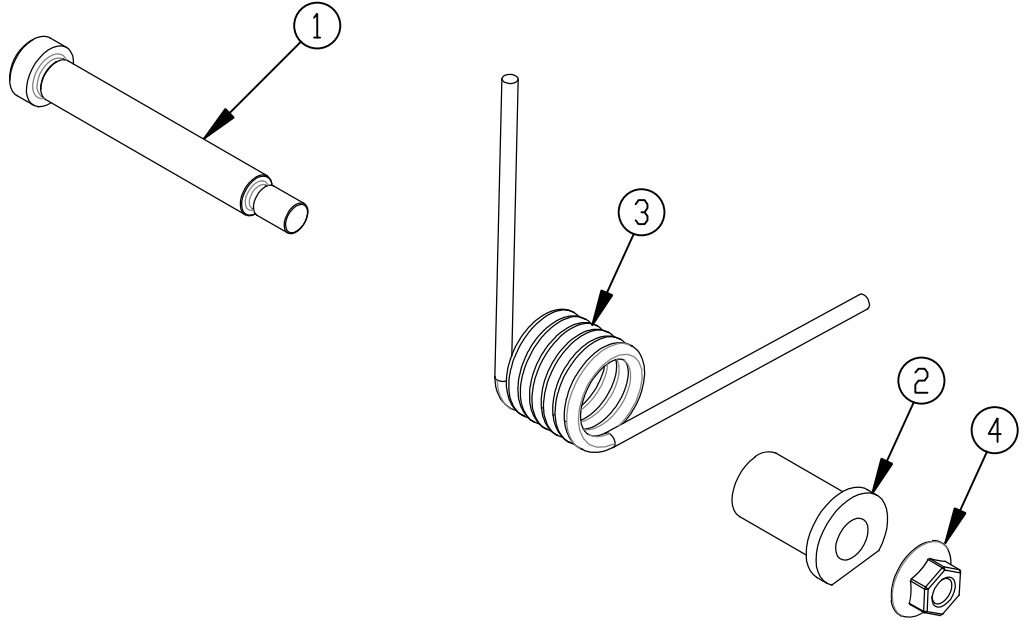


| ITEM NO. | QTY. | PART NO. | DESCRIPTION |
|----------|------|----------|--|
| 1 | 1 | 014603 | 1/2"DIA.x3-1/4" PLATED SHOULDER BOLT |
| 2 | 1 | 013850 | SELF CLOSE TORSION SPRING HOLDER |
| 3 | 1 | 013624 | .182" TORSION SPRING SELF CLOSE ARM |
| 4 | 1 | 000553 | 3/8-16 LARGE FLANGE LOCK NUT |
| 5 | 1 | 095199 | BF SELF-CLOSE ARM REPLACEMENT INSTRUCTIONS |



| | | | | THIRD ANGLE PROJECTION | | | FILENAME: | | WOODBINE MFG. CO. BUS BROWN DRIVE WOODBINE, IOWA 51579 | | | | | | | | | | | | | | | |
|---------------------------|---------|------------------------|-----|--|------|-------------|------------------------|---|--|--------------------|--------------------|------|-------------------|------|------|---------------------------|------|------|------------------|--|--------|--|--|--|
| | | | | | | | SYMBOLY PER ANSI Y14.5 | | | | | | | | | | | | | | | | | |
| | | | | <table border="1"> <tr> <th>DECIMAL</th> <th>2PLC</th> <th>3PLC</th> </tr> <tr> <td>MACHINE SAW, DRILL</td> <td>.030</td> <td>.015</td> </tr> <tr> <td>SHEAR, PUNCH FORM</td> <td>.060</td> <td>.030</td> </tr> <tr> <td>TORCH, WELDING ROUGH CAST</td> <td>.090</td> <td>.060</td> </tr> </table> | | | DECIMAL | 2PLC | 3PLC | MACHINE SAW, DRILL | .030 | .015 | SHEAR, PUNCH FORM | .060 | .030 | TORCH, WELDING ROUGH CAST | .090 | .060 | DRAWN BY: MTC | | NOTES: | | | |
| DECIMAL | 2PLC | 3PLC | | | | | | | | | | | | | | | | | | | | | | |
| MACHINE SAW, DRILL | .030 | .015 | | | | | | | | | | | | | | | | | | | | | | |
| SHEAR, PUNCH FORM | .060 | .030 | | | | | | | | | | | | | | | | | | | | | | |
| TORCH, WELDING ROUGH CAST | .090 | .060 | | | | | | | | | | | | | | | | | | | | | | |
| | | | | | | | DRAWN/DATE 12/5/16 | | | | | | | | | | | | | | | | | |
| A | 12/5/16 | RELEASED TO PRODUCTION | MTC | | 1593 | | | <small>THE INFORMATION HERE IS CONFIDENTIAL AND MUST NOT BE USED IN ANYWAY DETRIMENTAL TO THE INTEREST OF WOODBINE MFG.</small> | | | | | | | | | | | | | | | | |
| REV. | DATE | CHANGE RECORD | BY | APPVD | ECN | DRAFT 2* | ANGULAR ±1* | TITLE REPLACEMENT STEEL PLATFORM SC SPRING KIT-BF | SCALE NTS | FIN. WT. | PART NO. 014896 | | | | | | | | | | | | | |