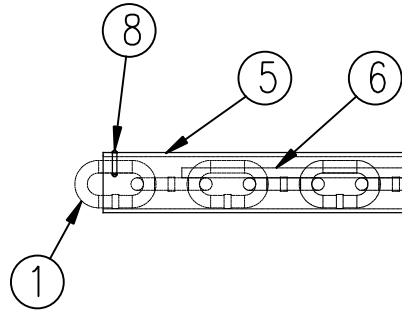


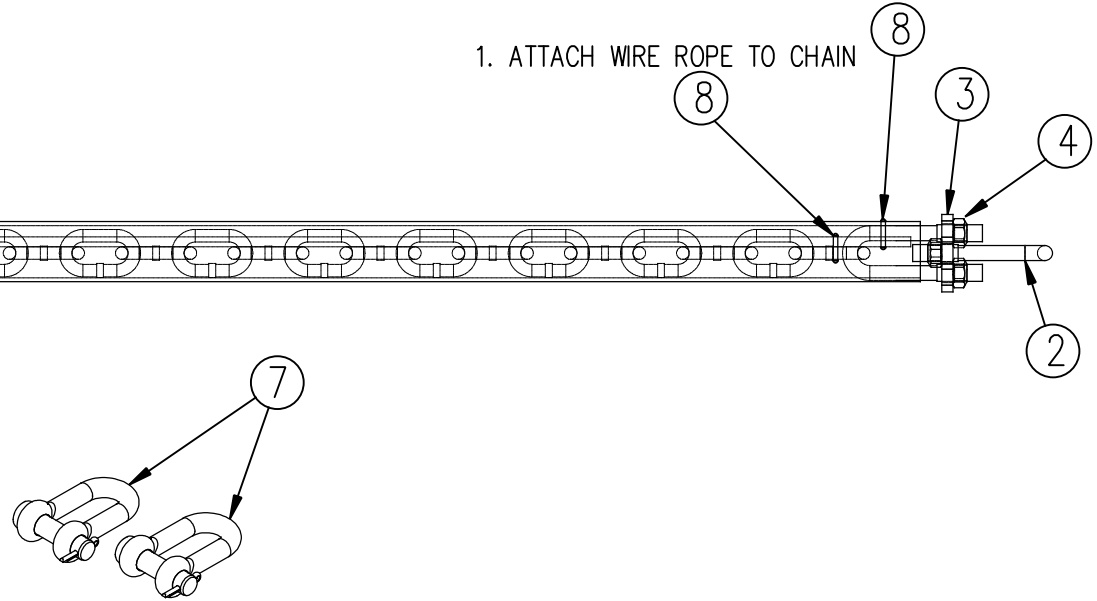
ITEM NO.	QTY.	PART NO.	DESCRIPTION
1	1	003113	CHAIN-7MM X 28 LINKS -ZINC (35"RF)
2	2	000760	3/8" U-BOLT(LONG)X16X7/8X2-3/4
3	1	002848	ADJUSTABLE DROP CHAIN PLATE (ZINC)
4	4	000605	3/8-16 USS LOCK NUT
5	1	008774	CLOTH CHAIN COVER (33 LINK AND R-FOLD)
6	1	014291	7/32" X 2.25FT CABLE BF
7	2	010416	3/8"ANCHOR SHACKLE (25/30)
8	3	009076	HOG RING
9	1	095200	BF PLATFORM CHAIN REPLACEMENT INSTRUCTIONS

3. ATTACH COVER TO CHAIN



2. ATTACH COVER TO CHAIN AND WIRE ROPE

1. ATTACH WIRE ROPE TO CHAIN



NOTE: ATTCH HOG RINGS (ITEM #8) IN ORDER AND LOCATION SPECIFIED.

REV.	DATE	CHANGE RECORD	BY	APPVD	ECN	DRAFT	ANGULAR	SCALE	FIN. WT.	PART NO.
B	9/5/17	CHANGED QTY OF PN009076 FROM (2) TO (3), ADDED NOTE	MTC		1939	2"	±1°	1:6		14889
A	11/30/16	RELEASED TO PRODUCTION	MTC	MTC	1593					

THIRD ANGLE PROJECTION

DECIMAL	2PLC	3PLC
MACHINE SAW, DRILL	.030	.015
SHEAR, PUNCH FORM	.060	.030
TORCH, WELDING ROUGH CAST	.090	.060

SYMBOLY PER ANSI Y14.5

DRAWN BY: MTC

DRAWN/DATE: 11/30/16

NOTES:

---



---



---

WOODBINE MFG. CO.  
BUS BROWN DRIVE  
WOODBINE, IOWA 51579

THE INFORMATION HERE IS CONFIDENTIAL AND MUST NOT BE USED IN ANYWAY DETRIMENTAL TO THE INTEREST OF WOODBINE MFG.

TITLE  
RAIL REPLACEMENT PLATFORM CHAIN(28 LINKS) 70" BF