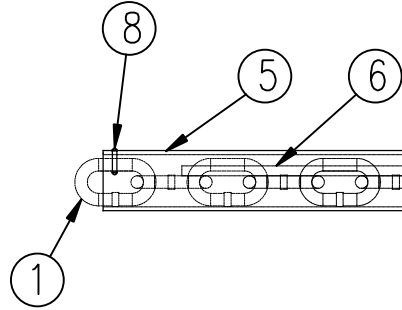


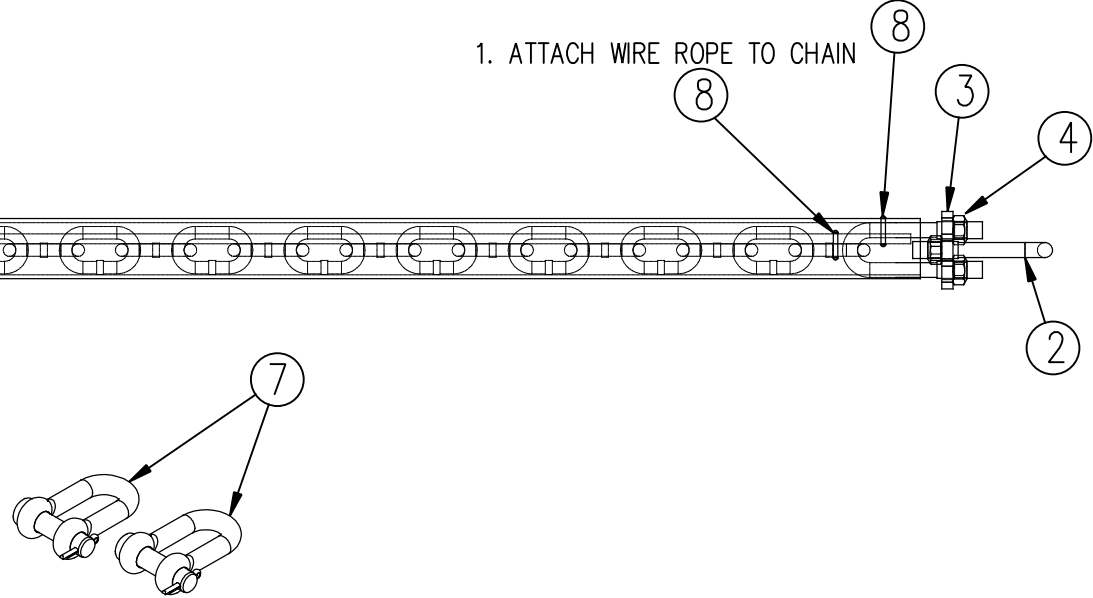
ITEM NO.	QTY.	PART NO.	DESCRIPTION
1	1	003112	CHAIN-7MM X 25 LINKS -ZINC (30"RF)
2	2	000760	3/8" U-BOLT(LONG)X16X7/8X2-3/4
3	1	002848	ADJUSTABLE DROP CHAIN PLATE (ZINC)
4	4	000605	3/8-16 USS LOCK NUT
5	1	008774	CLOTH CHAIN COVER (33 LINK AND R-FOLD)
6	1	014291	7/32" X 2.25FT CABLE BF
7	2	010416	3/8"ANCHOR SHACKLE (25/30)
8	3	009076	HOG RING
9	1	095200	BF PLATFORM CHAIN REPLACEMENT INSTRUCTIONS

3. ATTACH COVER TO CHAIN



2. ATTACH COVER TO CHAIN AND WIRE ROPE

1. ATTACH WIRE ROPE TO CHAIN



NOTE: ATTCH HOG RINGS (ITEM #8) IN ORDER AND LOCATION SPECIFIED.

			THIRD ANGLE PROJECTION			SYMBOLY PER ANSI Y14.5		NOTES:		
						MACHINE SAW, DRILL				
B	9/5/17	CHANGED QTY OF PN009076 FROM (2) TO (3), ADDED NOTE	MTC		1939	DECIMAL	2PLC	3PLC	DRAWN BY: MTC DRAWN/DATE 11/30/16	THE INFORMATION HERE IS CONFIDENTIAL AND MUST NOT BE USED IN ANYWAY DETRIMENTAL TO THE INTEREST OF WOODBINE MFG.
A	11/30/16	RELEASED TO PRODUCTION	MTC	MTC	1593	SHEAR, PUNCH FORM	.060	.030	TITLE	
REV.	DATE	CHANGE RECORD	BY	APPVD	ECN	TORCH, WELDING ROUGH CAST	.090	.060	RAIL REPLACEMENT PLATFORM CHAIN(25 LINKS) 60" BF	
						DRAFT 2°		ANGULAR ±1°	SCALE 1:6	FIN. WT.
									PART NO.	14888

WOODBINE MFG. CO.  
BUS BROWN DRIVE  
WOODBINE, IOWA 51579



THE INFORMATION HERE IS CONFIDENTIAL AND MUST NOT BE USED IN ANYWAY DETRIMENTAL TO THE INTEREST OF WOODBINE MFG.