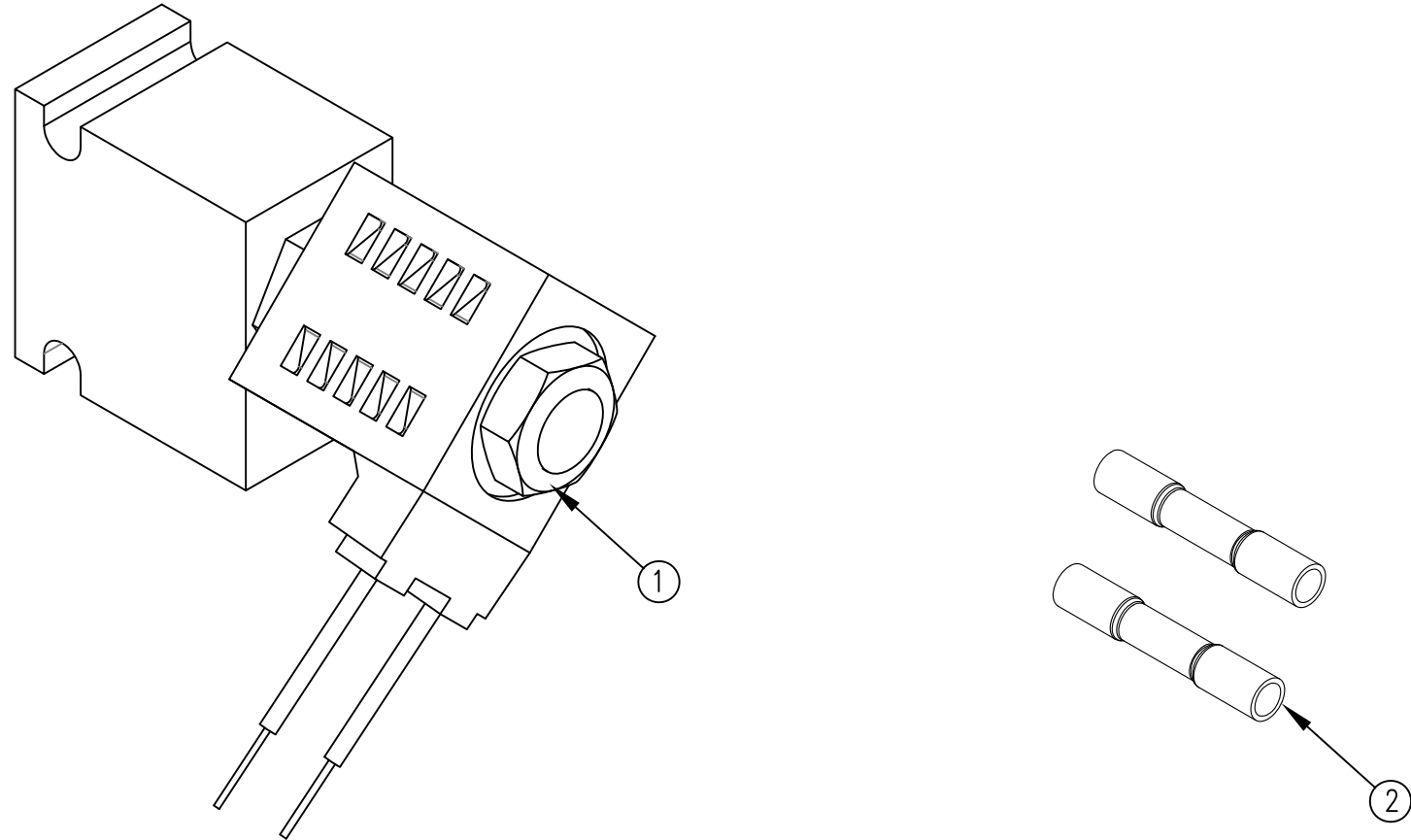


ITEM NO.	QTY.	PART NO.	DESCRIPTION
1	1	013883	CYLINDER LOCK ASSEMBLY
2	2	009089	16-14 HEAT SHRINK BUTT CONNECTOR



REV.	DATE	CHANGE RECORD	BY	APPVD	ECN	DRAFT	ANGULAR	SCALE	FIN. WT.	PART NO.												
B	10/11/19	UPDATED 13883 GRAPHIC; ADDED (1) 9089	AAS		2348	2'	±1°	NTS		14695												
A	3/24/16	RELEASED TO PRODUCTION	AAS		1593																	
						THIRD ANGLE PROJECTION																
						<table border="1"> <tr> <td>DECIMAL</td> <td>2PLC</td> <td>3PLC</td> </tr> <tr> <td>MACHINE SAW, DRILL</td> <td>.030</td> <td>.015</td> </tr> <tr> <td>SHEAR, PUNCH FORM</td> <td>.060</td> <td>.030</td> </tr> <tr> <td>TORCH, WELDING ROUGH CAST</td> <td>.090</td> <td>.060</td> </tr> </table>	DECIMAL	2PLC	3PLC	MACHINE SAW, DRILL	.030	.015	SHEAR, PUNCH FORM	.060	.030	TORCH, WELDING ROUGH CAST	.090	.060	SYMBOLY PER ANSI Y14.5		NOTES:	
DECIMAL	2PLC	3PLC																				
MACHINE SAW, DRILL	.030	.015																				
SHEAR, PUNCH FORM	.060	.030																				
TORCH, WELDING ROUGH CAST	.090	.060																				
						<table border="1"> <tr> <td>DRAWN BY.</td> <td>DATE</td> </tr> <tr> <td>AAS</td> <td>3/24/16</td> </tr> </table>	DRAWN BY.	DATE	AAS	3/24/16	WOODBINE MFG. CO. BUS BROWN DRIVE WOODBINE, IOWA 51579											
DRAWN BY.	DATE																					
AAS	3/24/16																					
						TITLE		<small>THE INFORMATION HERE IS CONFIDENTIAL AND MUST NOT BE USED IN ANYWAY DETRIMENTAL TO THE INTEREST OF WOODBINE MFG.</small>														
						REPLACEMENT CYLINDER "LOWER" SOLENOID ASSEMBLY																