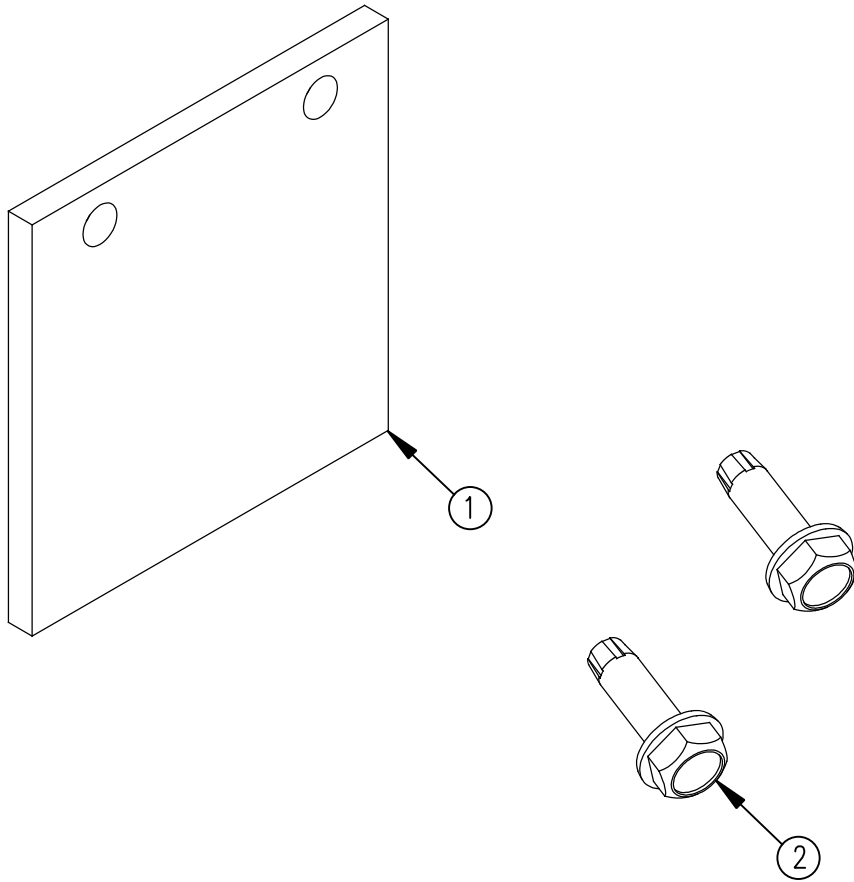


ITEM NO.	QTY.	PART NO.	DESCRIPTION
1	1	013979	.18"x2.63"x2.63" RUBBER BELTING-BF
2	2	013980	1/4"-20x3/4" SS TY F HEX HD
3	1	095197	BF FOLDING ARM RUBBER BELTING REPLACEMENT INSTRUCTIONS



				THIRD ANGLE PROJECTION			SYMBOLY PER ANSI Y14.5		NOTES:		WOODBINE MFG. CO. BUS BROWN DRIVE WOODBINE, IOWA 51579													
							DRAWN BY. AAS																	
				<table border="1"> <thead> <tr> <th>DECIMAL</th> <th>2PLC</th> <th>3PLC</th> </tr> </thead> <tbody> <tr> <td>MACHINE SAW, DRILL</td> <td>.030</td> <td>.015</td> </tr> <tr> <td>SHEAR, PUNCH FORM</td> <td>.060</td> <td>.030</td> </tr> <tr> <td>TORCH, WELDING ROUGH CAST</td> <td>.090</td> <td>.060</td> </tr> </tbody> </table>			DECIMAL	2PLC	3PLC	MACHINE SAW, DRILL	.030	.015	SHEAR, PUNCH FORM	.060	.030	TORCH, WELDING ROUGH CAST	.090	.060	DRAWN/DATE 3/10/16				<small>THE INFORMATION HERE IS CONFIDENTIAL AND MUST NOT BE USED IN ANYWAY DETRIMENTAL TO THE INTEREST OF WOODBINE MFG.</small>	
DECIMAL	2PLC	3PLC																						
MACHINE SAW, DRILL	.030	.015																						
SHEAR, PUNCH FORM	.060	.030																						
TORCH, WELDING ROUGH CAST	.090	.060																						
A	3/10/16	RELEASED TO PRODUCTION	AAS	1593	TITLE REPLACEMENT FOLDING ARM RUBBER BELTING-BF																			
REV.	DATE	CHANGE RECORD	BY	APPVD	ECN	DRAFT 2"	ANGULAR ±1"	SCALE NTS	FIN. WT.	PART NO.	14671													