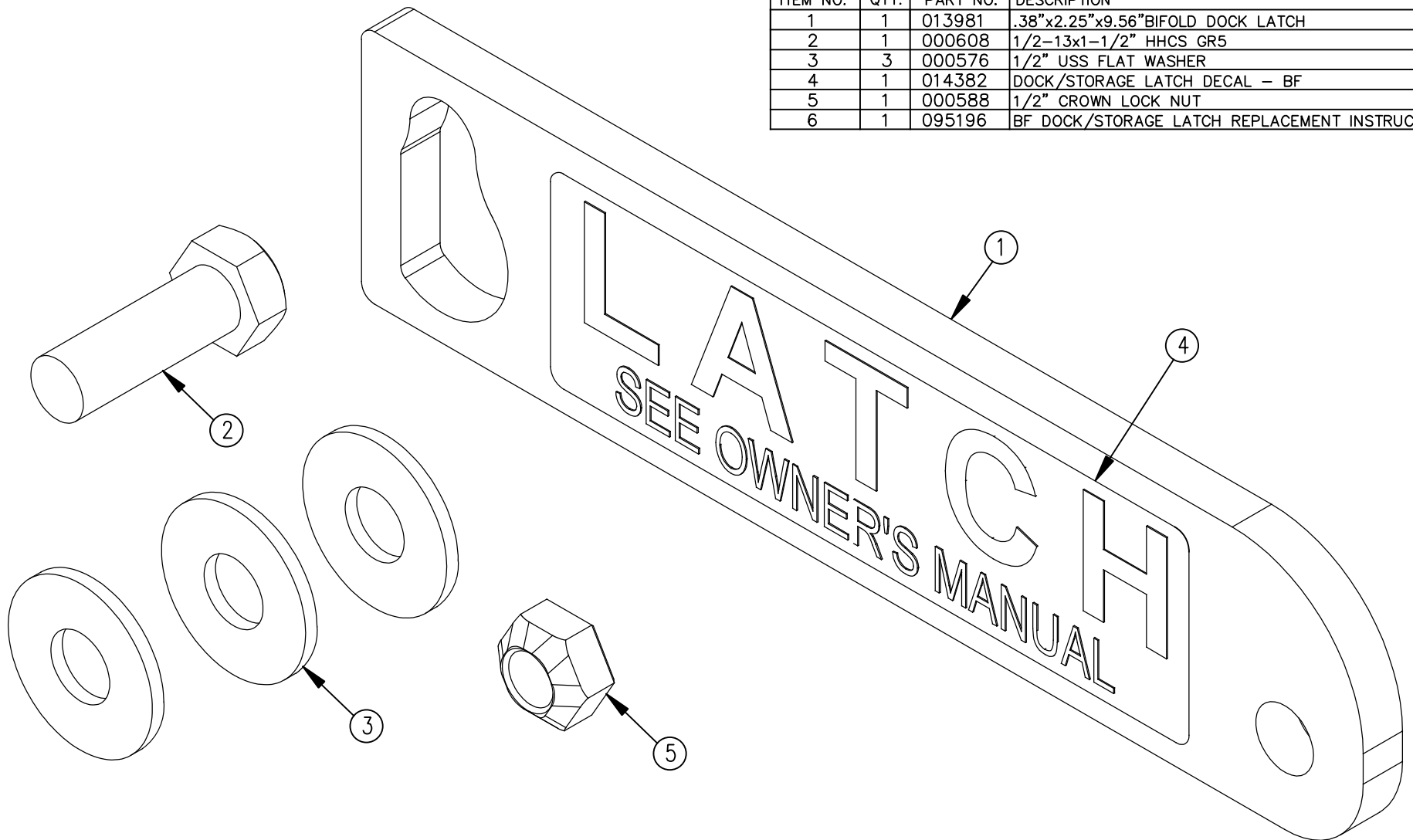


ITEM NO.	QTY.	PART NO.	DESCRIPTION
1	1	013981	.38"x2.25"x9.56" BIFOLD DOCK LATCH
2	1	000608	1/2"-13x1-1/2" HHCS GR5
3	3	000576	1/2" USS FLAT WASHER
4	1	014382	DOCK/STORAGE LATCH DECAL - BF
5	1	000588	1/2" CROWN LOCK NUT
6	1	095196	BF DOCK/STORAGE LATCH REPLACEMENT INSTRUCTIONS



				THIRD ANGLE PROJECTION			SYMBOLY PER ANSI Y14.5		NOTES:		WOODBINE MFG. CO. BUS BROWN DRIVE WOODBINE, IOWA 51579											
							DRAWN BY. AAS															
				<table border="1"> <thead> <tr> <th>DECIMAL</th> <th>2PLC</th> <th>3PLC</th> </tr> </thead> <tbody> <tr> <td>MACHINE SAW, DRILL</td> <td>.030</td> <td>.015</td> </tr> <tr> <td>SHEAR, PUNCH FORM</td> <td>.060</td> <td>.030</td> </tr> <tr> <td>TORCH, WELDING ROUGH CAST</td> <td>.090</td> <td>.060</td> </tr> </tbody> </table>			DECIMAL	2PLC	3PLC	MACHINE SAW, DRILL			.030	.015	SHEAR, PUNCH FORM	.060	.030	TORCH, WELDING ROUGH CAST	.090	.060	DRAWN/DATE 3/10/16	
DECIMAL	2PLC	3PLC																				
MACHINE SAW, DRILL	.030	.015																				
SHEAR, PUNCH FORM	.060	.030																				
TORCH, WELDING ROUGH CAST	.090	.060																				
A	3/10/16	RELEASED TO PRODUCTION		AAS	1593			TITLE REPLACEMENT DOCK/STORAGE LATCH KIT-BF		<small>THE INFORMATION HERE IS CONFIDENTIAL AND MUST NOT BE USED IN ANYWAY DETRIMENTAL TO THE INTEREST OF WOODBINE MFG.</small>												
REV.	DATE	CHANGE RECORD		BY	APPVD	ECN	DRAFT 2"	ANGULAR ±1"	SCALE NTS	WT.	PART NO.	14670										