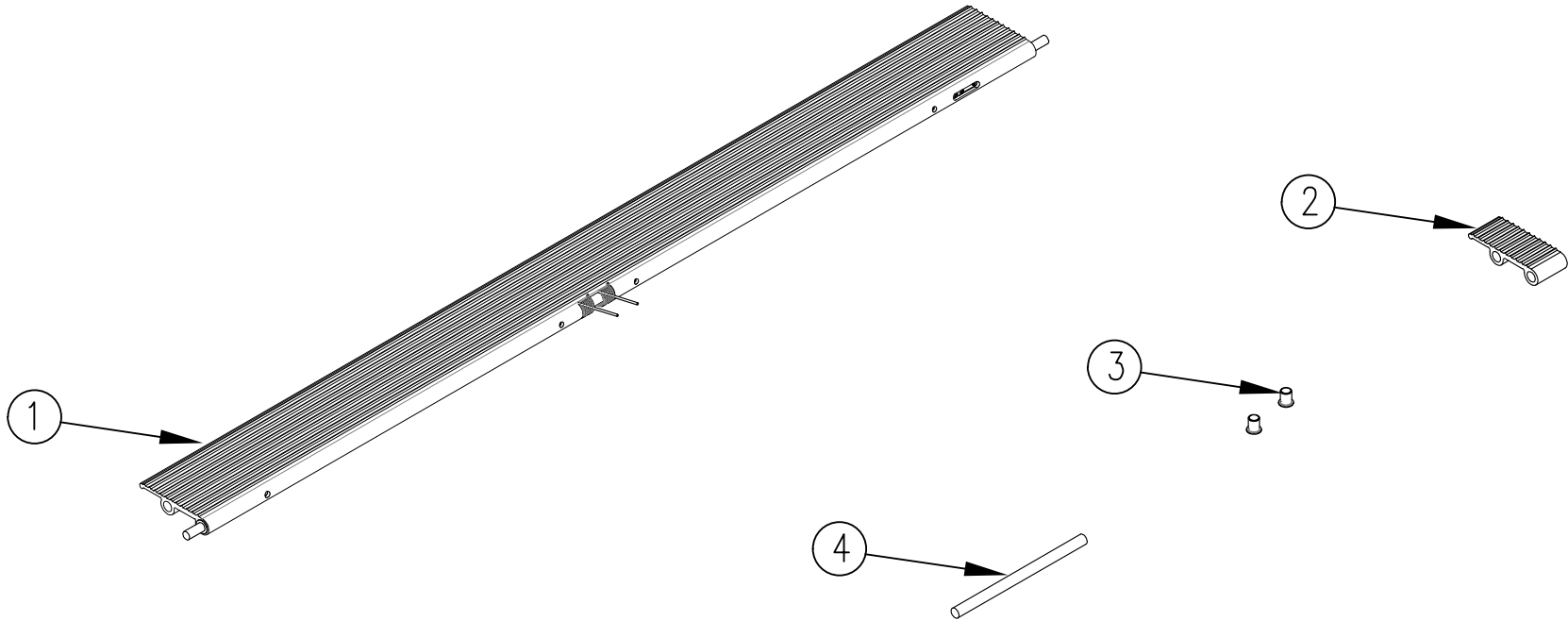


ITEM NO.	QTY.	PART NO.	DESCRIPTION
1	1	014452	SECONDARY CARTSTOP FLIPPER ASSY. (CVL)
2	1	010352	1.375" (FLIPPER PIVOT ANCHOR)CANTILEVER
3	2	014465	3/8" x 5/16" x 1/2" PLASTIC FLANGE BUSHING
4	1	013532	.38"DIA.x6"STAINLESS STEEL ROD
5	1	095181	REMOVABLE CVL CART STOP REPL. INSTR.



					THIRD ANGLE PROJECTION			FILENAME:				WOODBINE MFG. CO. BUS BROWN DRIVE WOODBINE, IOWA 51579																
								SYMBOLY PER ANSI Y14.5		NOTES:				712-647-2050														
					<table border="1"> <tr> <th>DECIMAL</th> <th>2PLC</th> <th>3PLC</th> </tr> <tr> <td>MACHINE SAW,DRILL</td> <td>.030</td> <td>.015</td> </tr> <tr> <td>SHEAR, PUNCH FORM</td> <td>.060</td> <td>.030</td> </tr> <tr> <td>TORCH, WELDING ROUGH CAST</td> <td>.090</td> <td>.060</td> </tr> </table>			DECIMAL	2PLC	3PLC	MACHINE SAW,DRILL	.030	.015	SHEAR, PUNCH FORM	.060	.030	TORCH, WELDING ROUGH CAST	.090	.060	DRAWN BY: GDB						The original TOMMY GATE hydraulic lift		
DECIMAL	2PLC	3PLC																										
MACHINE SAW,DRILL	.030	.015																										
SHEAR, PUNCH FORM	.060	.030																										
TORCH, WELDING ROUGH CAST	.090	.060																										
B	1/13/16	ADDED 13532			GDB	1562	DRAWN/DATE 8/7/15		THE INFORMATION HERE IS CONFIDENTIAL AND MUST NOT BE USED IN ANYWAY DETRIMENTAL TO THE INTEREST OF WOODBINE MFG.																			
A	8/7/15	RELEASED TO PRODUCTION			GDB	1331	APPVD/DATE		TITLE REPLACEMENT SECONDARY CART STOP (CVL)																			
REV.	DATE	CHANGE RECORD			BY	APPVD	ECN	DRAFT 2'	ANGULAR ±1'	SALES CATEGORY	PRODUCT LINE	SCALE 1:6	FIN. WT.	PART NO. 14541														