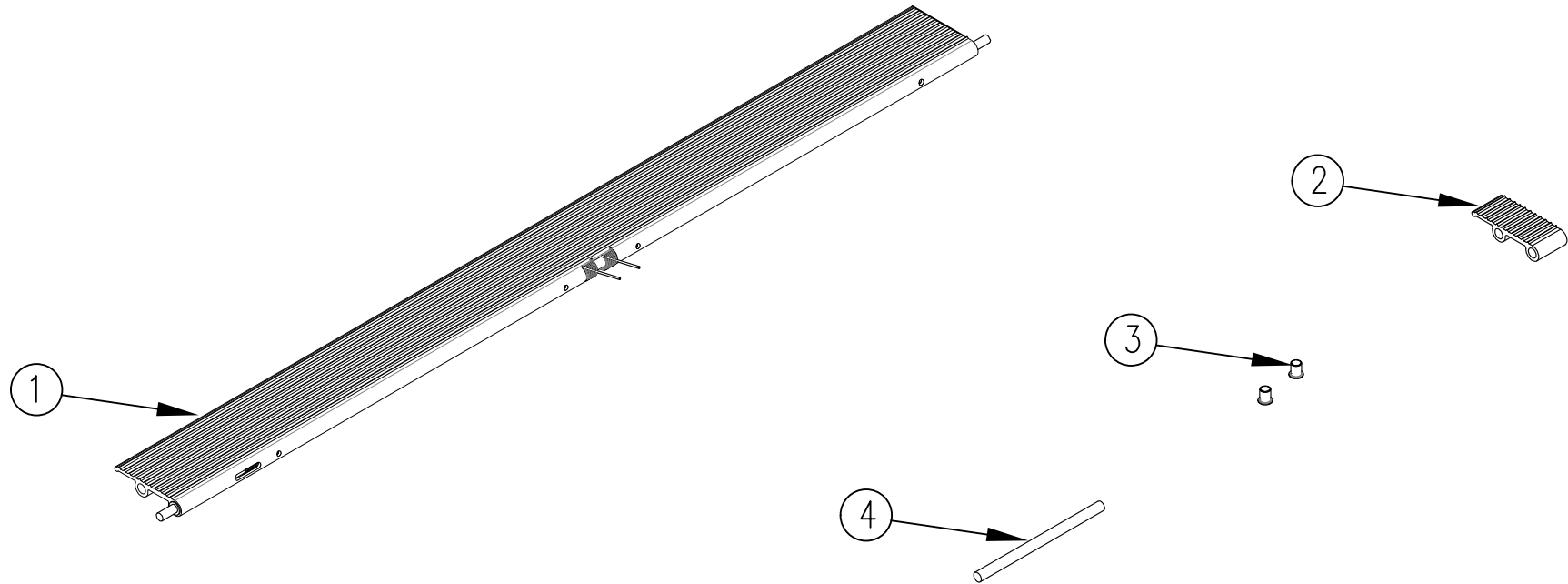


| ITEM NO. | QTY. | PART NO. | DESCRIPTION                                |
|----------|------|----------|--|
| 1        | 1    | 014451   | PRIMARY CARTSTOP FLIPPER ASSY. (CVL)       |
| 2        | 1    | 010352   | 1.375" (FLIPPER PIVOT ANCHOR)CANTILEVER    |
| 3        | 2    | 014465   | 3/8" x 5/16" x 1/2" PLASTIC FLANGE BUSHING |
| 4        | 1    | 013532   | .38"DIA.x6"STAINLESS STEEL ROD             |
| 5        | 1    | 095181   | REMOVABLE CVL CART STOP REPL. INSTR.       |



|      |      |               |  |  | THIRD ANGLE PROJECTION    |             |      | FILENAME:              |                                     |        |          | WOODBINE MFG. CO.<br>BUS BROWN DRIVE<br>WOODBINE, IOWA 51579 |  |  |  |
|------|------|---------------|--|--|---------------------------|-------------|------|------------------------|-------------------------------------|--------|----------|--|--|--|--|
|      |      |               |  |  |                           |             |      | SYMBOLY PER ANSI Y14.5 |                                     | NOTES: |          |  |  |  |  |
|      |      |               |  |  | DECIMAL                   | 2PLC        | 3PLC | DRAWN BY               |                                     |        |          |  |  |  |  |
|      |      |               |  |  | MACHINE SAW, DRILL        | .030        | .015 | GDB                    |                                     |        |          |  |  |  |  |
|      |      |               |  |  | SHEAR, PUNCH FORM         | .060        | .030 | DRAWN/DATE             |                                     |        |          |  |  |  |  |
|      |      |               |  |  | TORCH, WELDING ROUGH CAST | .090        | .060 | 8/7/15                 |                                     |        |          |  |  |  |  |
|      |      |               |  |  | DRAFT 2'                  | ANGULAR ±1' |      | APPVD/DATE             |                                     | TITLE  |          |  |  |  |  |
|      |      |               |  |  |                           |             |      |                        | REPLACEMENT PRIMARY CART STOP (CVL) |        |          |  |  |  |  |
| REV. | DATE | CHANGE RECORD |  |  | BY                        | APPVD       | ECN  | SALES CATEGORY         | PRODUCT LINE                        | SCALE  | FIN. WT. | PART NO.   |  |  |  |
|      |      |               |  |  |                           |             |      |                        |                                     | 1:6    |          | 14540  |  |  |  |

712-647-2050

THE INFORMATION HERE IS CONFIDENTIAL AND MUST NOT BE USED IN ANYWAY DETRIMENTAL TO THE INTEREST OF WOODBINE MFG.