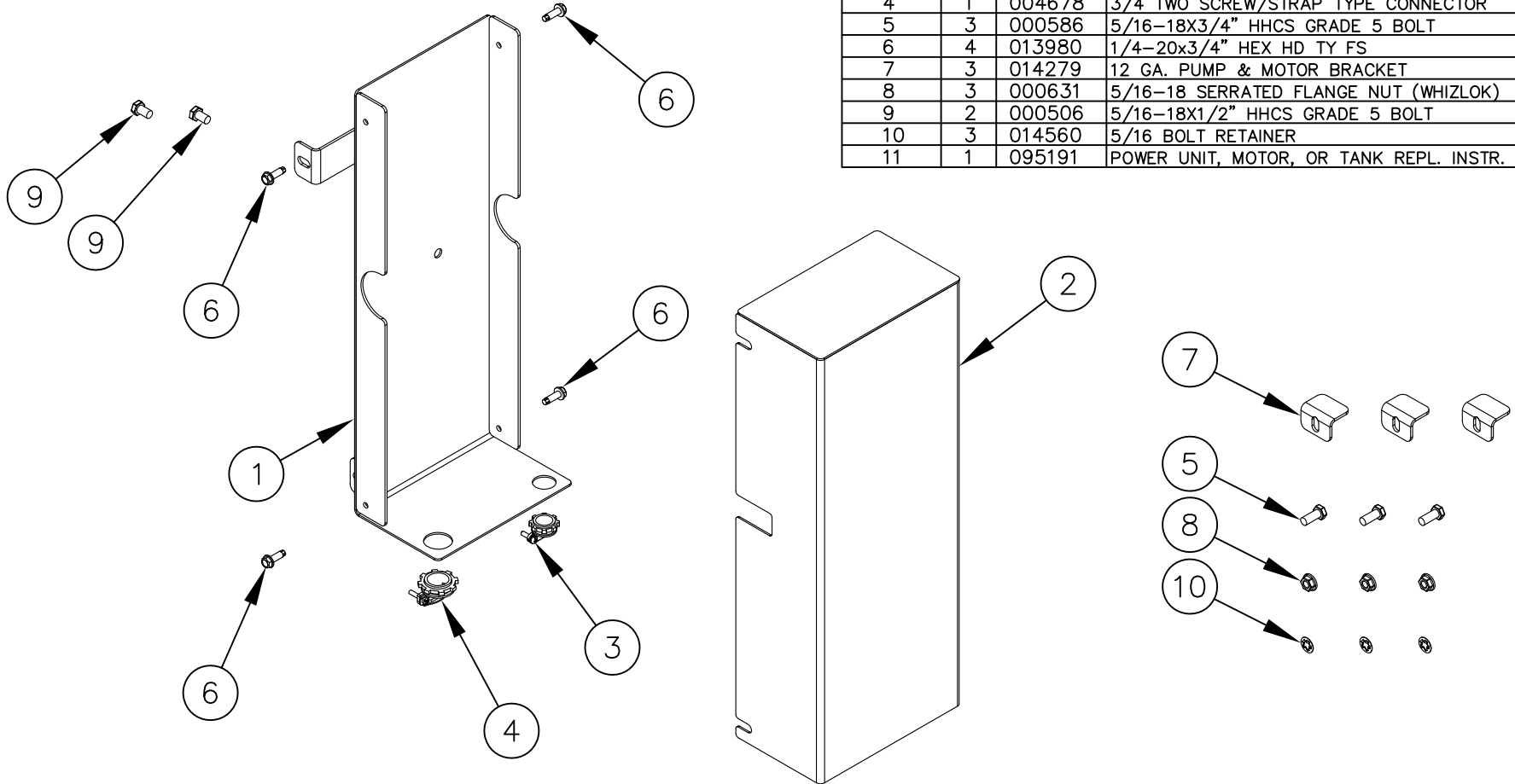
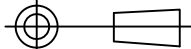


ITEM NO.	QTY.	PART NO.	DESCRIPTION
1	1	014281	650 PUMP BOX (GATE MOUNT)
2	1	014282	650 PUMP BOX COVER (GATE MOUNT)
3	1	007752	3/8" 2-SCREW ROMEX. CONN.
4	1	004678	3/4 TWO SCREW/STRAP TYPE CONNECTOR
5	3	000586	5/16-18X3/4" HHCS GRADE 5 BOLT
6	4	013980	1/4-20X3/4" HEX HD TY FS
7	3	014279	12 GA. PUMP & MOTOR BRACKET
8	3	000631	5/16-18 SERRATED FLANGE NUT (WHIZLOK)
9	2	000506	5/16-18X1/2" HHCS GRADE 5 BOLT
10	3	014560	5/16 BOLT RETAINER
11	1	095191	POWER UNIT, MOTOR, OR TANK REPL. INSTR. - 650



REV.	DATE	CHANGE RECORD	BY	APPVD	ECN	DRAFT	ANGULAR	SALES CATEGORY	PRODUCT LINE	SCALE	FIN. WT.	PART NO.
C	2/4/16	ADDED 95191; REPLACED (2) 586 WITH (2) 506; REPLACED 554, 574, 584 WITH 631	JCB		1575	2"	±1°			1:6		14520
B	9/4/15	ADDED (3) 14560	JCB		1475							
A	7/15/15	RELEASED TO PRODUCTION	JCB		1440							

THIRD ANGLE PROJECTION



DECIMAL	2PLC	3PLC
MACHINE SAW, DRILL	.030	.015
SHEAR, PUNCH, FORM	.060	.030
TORCH, WELDING, ROUGH CAST	.090	.060

FILENAME:

SYMBOLY PER ANSI Y14.5

DRAWN BY:
JCB

DRAWN/DATE
7/15/15

APPVD/DATE

TITLE

NOTES:

WOODBINE MFG. CO.
BUS BROWN DRIVE
WOODBINE, IOWA 51579



THE INFORMATION HERE IS CONFIDENTIAL AND MUST NOT BE USED IN ANYWAY DETRIMENTAL TO THE INTEREST OF WOODBINE MFG.

REPL. 650 PUMP BOX (ONLY) GATE MOUNT

PRODUCT LINE SCALE FIN. WT. PART NO. 14520