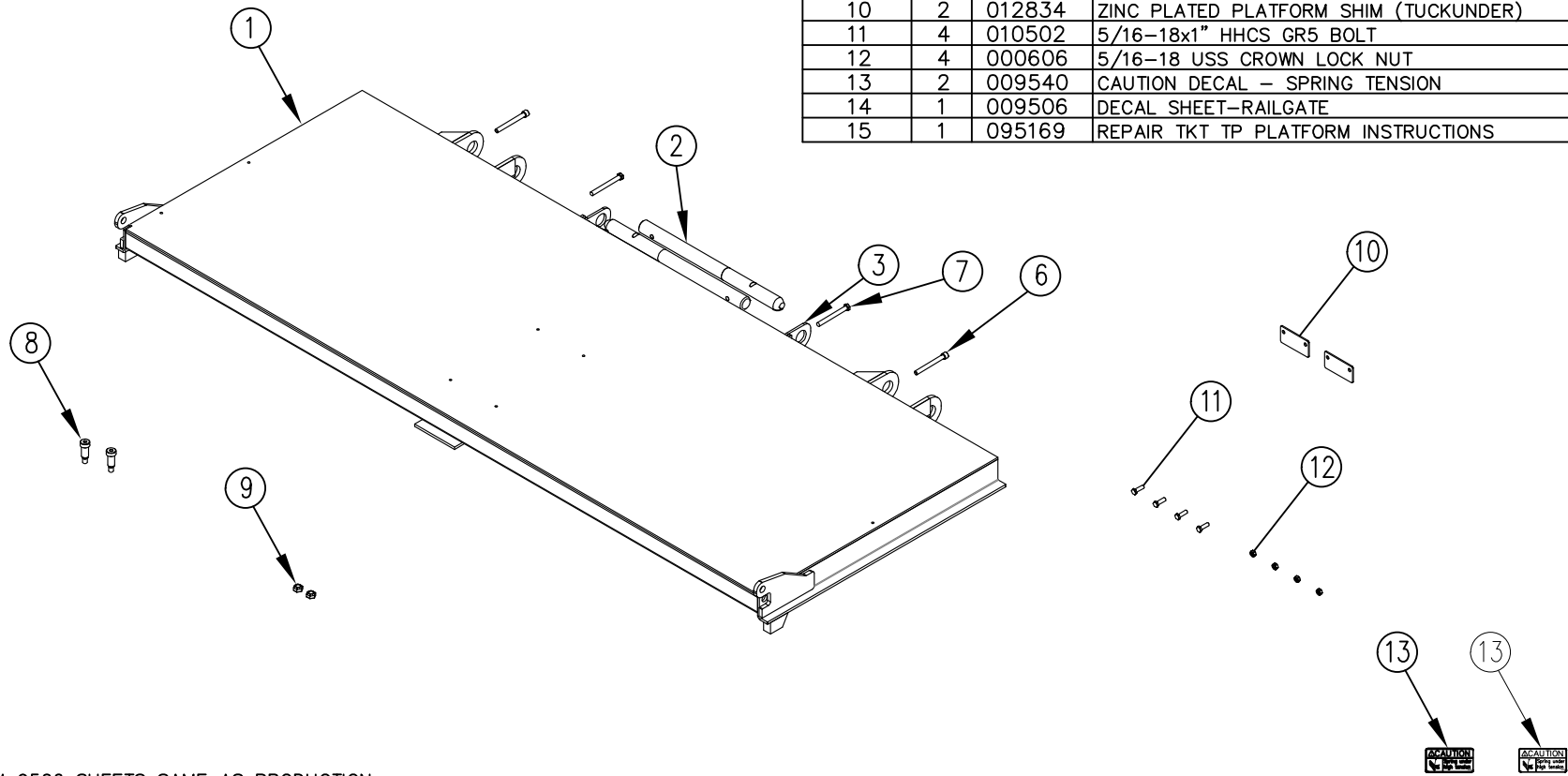


ITEM NO.	QTY.	PART NO.	DESCRIPTION
1	1	013023	25" TP MAIN PLATFORM(TUCKUNDER)
2	2	011527	1.24"DIA.x17.50"PLATFORM PIN(TUCKUNDER)
3	2	011524	.25"x2.50"x3.19"SPRING PLATE(TUCKUNDER)
4	4	000509	3/8-16x1" HHCS GR5
5	8	000605	3/8-16 USS CROWN LOCK NUT
6	2	013019	3/8-16x3-1/2" SOCKET HEAD CAP SCREW
7	2	010046	3/8-16x3-1/2" HHCS GR5
8	2	011656	5/8x1.25" SHOULDER BOLT-ZINC PLATED(1/2-13)
9	2	000588	1/2" CROWN LOCK NUT
10	2	012834	ZINC PLATED PLATFORM SHIM (TUCKUNDER)
11	4	010502	5/16-18x1" HHCS GR5 BOLT
12	4	000606	5/16-18 USS CROWN LOCK NUT
13	2	009540	CAUTION DECAL - SPRING TENSION
14	1	009506	DECAL SHEET-RAILGATE
15	1	095169	REPAIR TKT TP PLATFORM INSTRUCTIONS



NOTE: APPLY DECALS FROM 9506 SHEETS SAME AS PRODUCTION

				THIRD ANGLE PROJECTION			FILENAME:		WOODBINE MFG. CO. BUS BROWN DRIVE WOODBINE, IOWA 51579							
							SYMBOLY PER ANSI Y14.5		NOTES:							
				DECIMAL	2PLC	3PLC	DRAWN BY.		712-647-2050							
				MACHINE SAW, DRILL	.030	.015	GDB						THE INFORMATION HERE IS CONFIDENTIAL AND MUST NOT BE USED IN ANYWAY DETRIMENTAL TO THE INTEREST OF WOODBINE MFG.			
				SHEAR, PUNCH FORM	.060	.030	DRAWN/DATE									
				TORCH, WELDING ROUGH CAST	.090	.060	3/20/15									
				DRAFT 2'	ANGULAR ±1'		APPVD/DATE		TITLE							
						SALES CATEGORY		PRODUCT LINE		SCALE		FIN. WT.		PART NO.		
										1:8				14339		
REV.	DATE	CHANGE RECORD		BY	APPVD	ECN										
A.1	3/26/15	BILL CORRECTIONS TO MATCH PRODUCTION		GDB												
A	3/20/15	RELEASED TO PRODUCTION		GDB		1348										