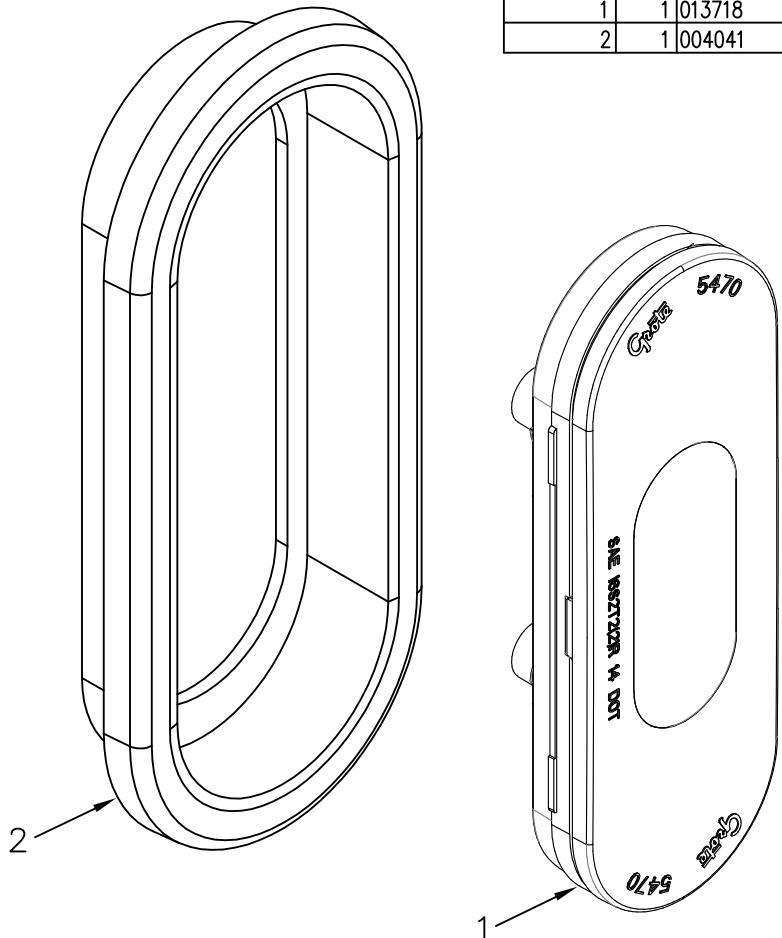


ITEM NO.	QTY.	PART NO.	DESCRIPTION
1	1	013718	STT W/ BACKUP 12V LED LIGHT
2	1	004041	BLACK GROMMET - ECONO 60



				THIRD ANGLE PROJECTION			FILENAME:				WOODBINE MFG. CO. BUS BROWN DRIVE WOODBINE, IOWA 51579															
							SYMBOLGY PER ANSI Y14.5				NOTES:															
				<table border="1"> <tr> <th>DECIMAL</th> <th>2PLC</th> <th>3PLC</th> </tr> <tr> <td>MACHINE SAW, DRILL</td> <td>.030</td> <td>.015</td> </tr> <tr> <td>SHEAR, PUNCH FORM</td> <td>.060</td> <td>.030</td> </tr> <tr> <td>TORCH, WELDING ROUGH CAST</td> <td>.090</td> <td>.060</td> </tr> </table>			DECIMAL	2PLC	3PLC	MACHINE SAW, DRILL					.030	.015	SHEAR, PUNCH FORM	.060	.030	TORCH, WELDING ROUGH CAST	.090	.060	DRAWN BY: GDB			
DECIMAL	2PLC	3PLC																								
MACHINE SAW, DRILL	.030	.015																								
SHEAR, PUNCH FORM	.060	.030																								
TORCH, WELDING ROUGH CAST	.090	.060																								
							DRAWN/DATE 2/16/15				THE INFORMATION HERE IS CONFIDENTIAL AND MUST NOT BE USED IN ANYWAY DETRIMENTAL TO THE INTEREST OF WOODBINE MFG.															
A 2/16/15				RELEASED TO PRODUCTION				GDB 1323				APPVD/DATE				TITLE REPLACEMENT STT W/ BACKUP LED LIGHT w/GROMMET (12VDC)										
REV. DATE				CHANGE RECORD				BY APPVD ECN				DRAFT 2*		ANGULAR ±1*		SALES CATEGORY		PRODUCT LINE		SCALE N		FIN. WT. 0.81		PART NO. 14257		