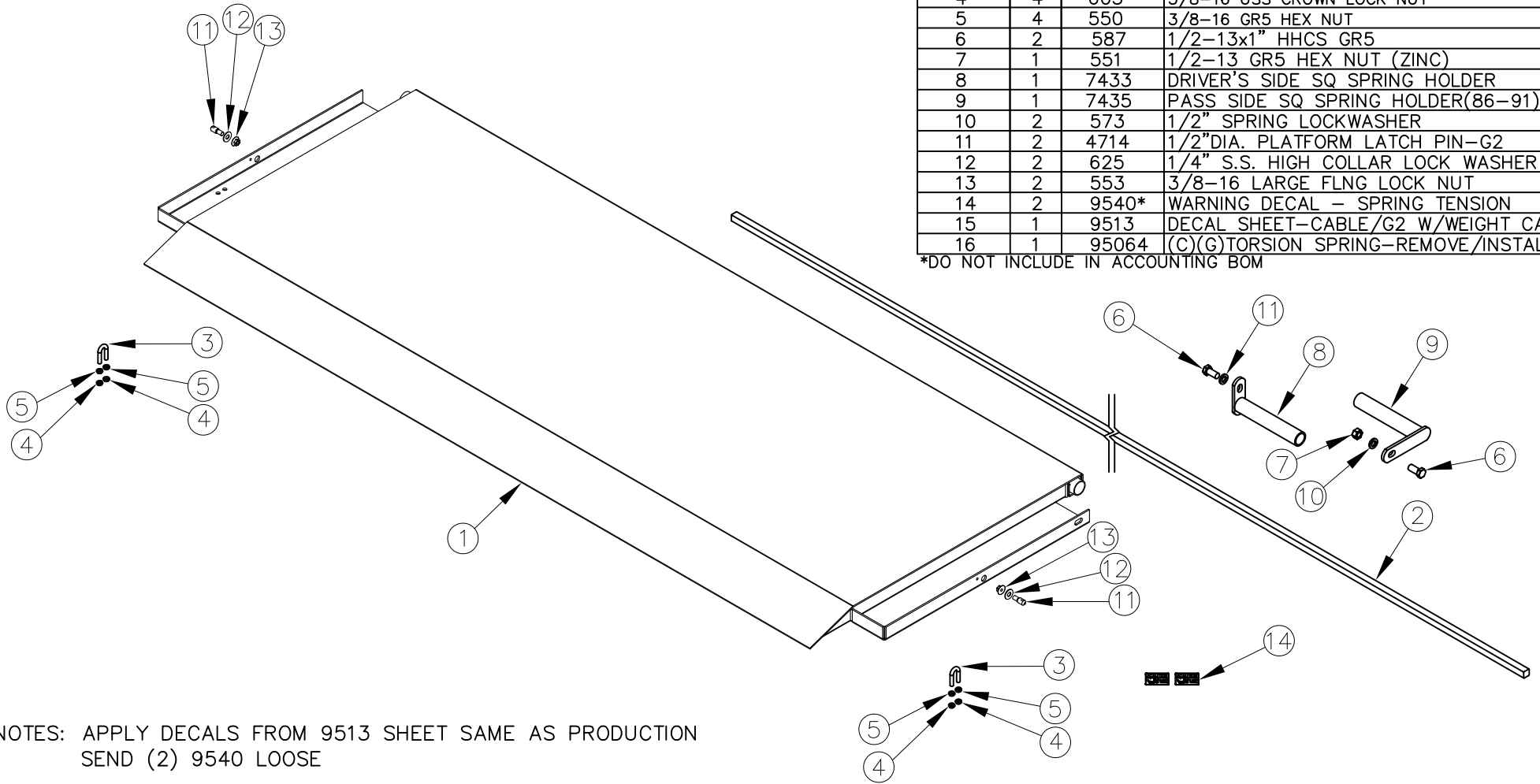


ITEM NO.	QTY.	PART NO.	DESCRIPTION
1	1	2574	G2 92-50 33+6" TT PLTFRM COMP.
2	1	5045	1/2" SQ. TORSION SPRING (91)
3	2	4727	3/8"U-BOLT(SHORT)x16x7/8x1-1/2
4	4	605	3/8-16 USS CROWN LOCK NUT
5	4	550	3/8-16 GR5 HEX NUT
6	2	587	1/2-13x1" HHCS GR5
7	1	551	1/2-13 GR5 HEX NUT (ZINC)
8	1	7433	DRIVER'S SIDE SQ SPRING HOLDER
9	1	7435	PASS SIDE SQ SPRING HOLDER(86-91)
10	2	573	1/2" SPRING LOCKWASHER
11	2	4714	1/2"DIA. PLATFORM LATCH PIN-G2
12	2	625	1/4" S.S. HIGH COLLAR LOCK WASHER
13	2	553	3/8-16 LARGE FLNG LOCK NUT
14	2	9540*	WARNING DECAL - SPRING TENSION
15	1	9513	DECAL SHEET-CABLE/G2 W/WEIGHT CAP.
16	1	95064	(C)(G)TORSION SPRING-REMOVE/INSTALL

*DO NOT INCLUDE IN ACCOUNTING BOM



NOTES: APPLY DECALS FROM 9513 SHEET SAME AS PRODUCTION
SEND (2) 9540 LOOSE

REV.	DATE	CHANGE RECORD	BY	APPVD	ECN	DRAFT	ANGULAR	SCALE	FIN. WT.	PART NO.												
B	1/24/17	ADDED (1) 95064, (1) 9513, (2) 9540	AAS		1783	2"	±1°	1:14		14219												
A	12/30/14	RELEASED TO PRODUCTION	GDB		1286																	
						THIRD ANGLE PROJECTION	FILENAME:		WOODBINE MFG. CO. BUS BROWN DRIVE WOODBINE, IOWA 51579													
						<table border="1"> <tr> <td>DECIMAL</td> <td>2PLC</td> <td>3PLC</td> </tr> <tr> <td>MACHINE SAW, DRILL</td> <td>.030</td> <td>.015</td> </tr> <tr> <td>SHEAR, PUNCH FORM</td> <td>.060</td> <td>.030</td> </tr> <tr> <td>TORCH, WELDING ROUGH CAST</td> <td>.090</td> <td>.060</td> </tr> </table>	DECIMAL	2PLC	3PLC	MACHINE SAW, DRILL	.030	.015	SHEAR, PUNCH FORM	.060	.030	TORCH, WELDING ROUGH CAST	.090	.060	SYMBOLY PER ANSI Y14.5		NOTES:	
DECIMAL	2PLC	3PLC																				
MACHINE SAW, DRILL	.030	.015																				
SHEAR, PUNCH FORM	.060	.030																				
TORCH, WELDING ROUGH CAST	.090	.060																				
						DRAWN BY: GDB		THE ORIGINAL TOMMY GATE hydraulic lift		THE INFORMATION HERE IS CONFIDENTIAL AND MUST NOT BE USED IN ANYWAY DETRIMENTAL TO THE INTEREST OF WOODBINE MFG.												
						DRAWN/DATE: 12/30/14		TITLE: G2 92 33+6" TT REPLACEMENT PLATFORM														