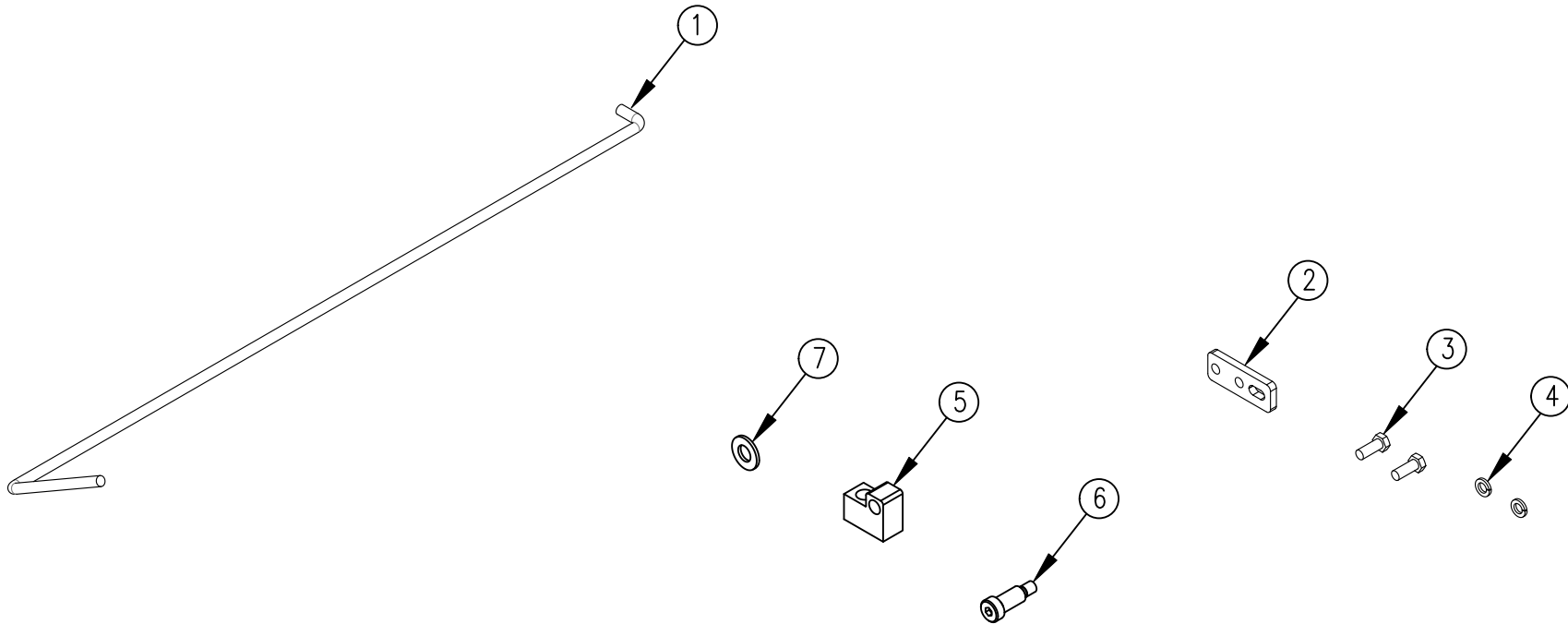
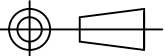



ITEM NO.	QTY.	PART NO.	DESCRIPTION
1	1	013049	.50"EA FLIPPER SPRING(TUCKUNDER)
2	1	013055	.38"x1.50"x4.00" EA SPRING CAPTURE PLATE (TUCKUNDER)
3	2	000521	1/2-13x1-1/4" HHCS GR5
4	2	000573	1/2" SPRING LOCK WASHER
5	1	013697	ZINC PLATED EA TORSION SPRING SWIVEL
6	1	011656	5/8" X 1-1/4" SHOULDER BOLT- ZINC PLATED
7	1	000577	5/8" SAE THRU HARD WASHER
8	1	095155	REPAIR TKT EA FLIPPER TORSION SPRING INSTRUCTIONS



						THIRD ANGLE PROJECTION 	DRAWN BY GDB	NOTES: _____ _____ _____	WOODBINE MFG. CO. BUS BROWN DRIVE WOODBINE, IOWA 51579 	
					UNLESS OTHERWISE SPECIFIED	DRAWN/DATE 12/2/14				
					DIMENSIONS ARE IN INCHES TOLERANCES: FRACTIONAL ±1/16 ANGULAR MACH ±1° BEND ±1° TWO PLACE DECIMAL ±0.030 THREE PLACE DECIMAL ±0.010	APPVD/DATE —				
B	2/19/20	577 WAS 576, 11656 WAS 13057	CDM	2432			DO NOT SCALE DRAWING	TITLE REPL. 60" EA FLIPPER TORSION SPRING(TKT)		
A	12/2/14	RELEASED TO PRODUCTION	GDB	1263						
REV.	DATE	CHANGE RECORD	BY	APPVD	ECN	THE INFORMATION HERE IS CONFIDENTIAL AND MUST NOT BE USED IN ANY WAY DETRIMENTAL TO THE INTEREST OF WOODBINE MFG.		SCALE 1:8	WEIGHT —	PART NO. 14194