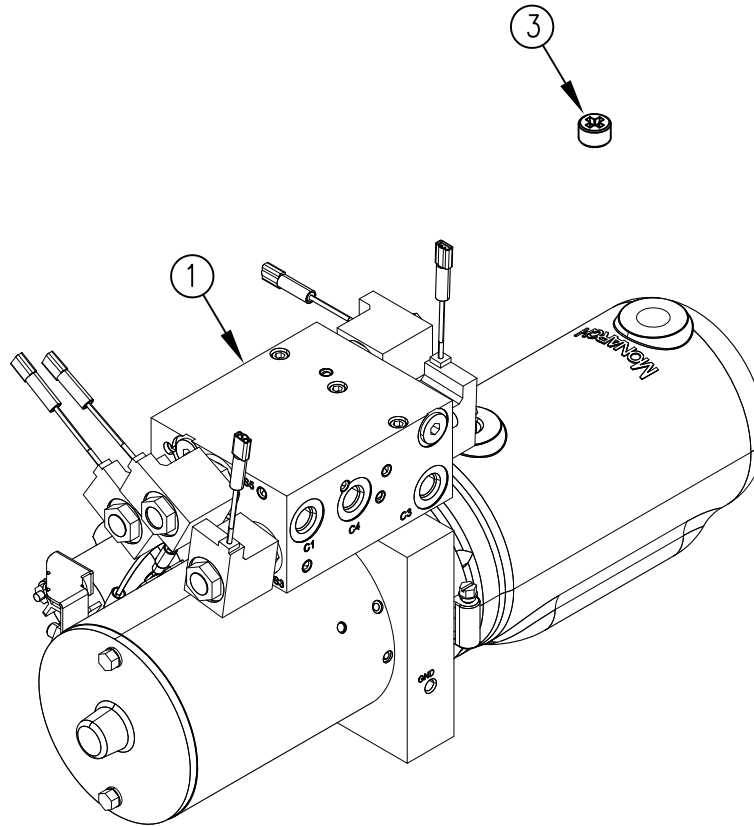


ITEM NO.	QTY.	PART NO.	DESCRIPTION
1	1	013860	MONARCH UNIT3552-0119 (CANTILEVER)TRANSIT
2	0.475 GAL	009034	HYDRAULIC OIL
3	1	004403*	VENT PLUG
4	1	095113	CANTILEVER POWER UNIT REPLACEMENT INSTR.

*ACCOUNTING-DO NOT USE FOR B.O.M.



				THIRD ANGLE PROJECTION			FILENAME:				WOODBINE MFG. CO. BUS BROWN DRIVE WOODBINE, IOWA 51579															
							SYMBOLY PER ANSI Y14.5				NOTES:															
				<table border="1"> <thead> <tr> <th>DECIMAL</th> <th>2PLC</th> <th>3PLC</th> </tr> </thead> <tbody> <tr> <td>MACHINE SAW,DRILL</td> <td>.030</td> <td>.015</td> </tr> <tr> <td>SHEAR, PUNCH FORM</td> <td>.060</td> <td>.030</td> </tr> <tr> <td>TORCH, WELDING ROUGH CAST</td> <td>.090</td> <td>.060</td> </tr> </tbody> </table>			DECIMAL	2PLC	3PLC	MACHINE SAW,DRILL	.030	.015	SHEAR, PUNCH FORM	.060	.030	TORCH, WELDING ROUGH CAST	.090	.060	DRAWN BY. JCB				712-647-2050			
DECIMAL	2PLC	3PLC																								
MACHINE SAW,DRILL	.030	.015																								
SHEAR, PUNCH FORM	.060	.030																								
TORCH, WELDING ROUGH CAST	.090	.060																								
							DRAWN/DATE 8/25/14				THE INFORMATION HERE IS CONFIDENTIAL AND MUST NOT BE USED IN ANYWAY DETRIMENTAL TO THE INTEREST OF WOODBINE MFG.															
							APPVD/DATE				TITLE REPL. 1330 CANTILEVER P&M (2750PSI) 3552-0119															
A	8/25/14	RELEASED TO PRODUCTION				JCB		1188	SALES CATEGORY				PRODUCT LINE	SCALE 1:4	FIN. WT.	PART NO. 14108										
REV.	DATE	CHANGE RECORD				BY	APPVD	ECN	DRAFT 2'		ANGULAR ±1'															