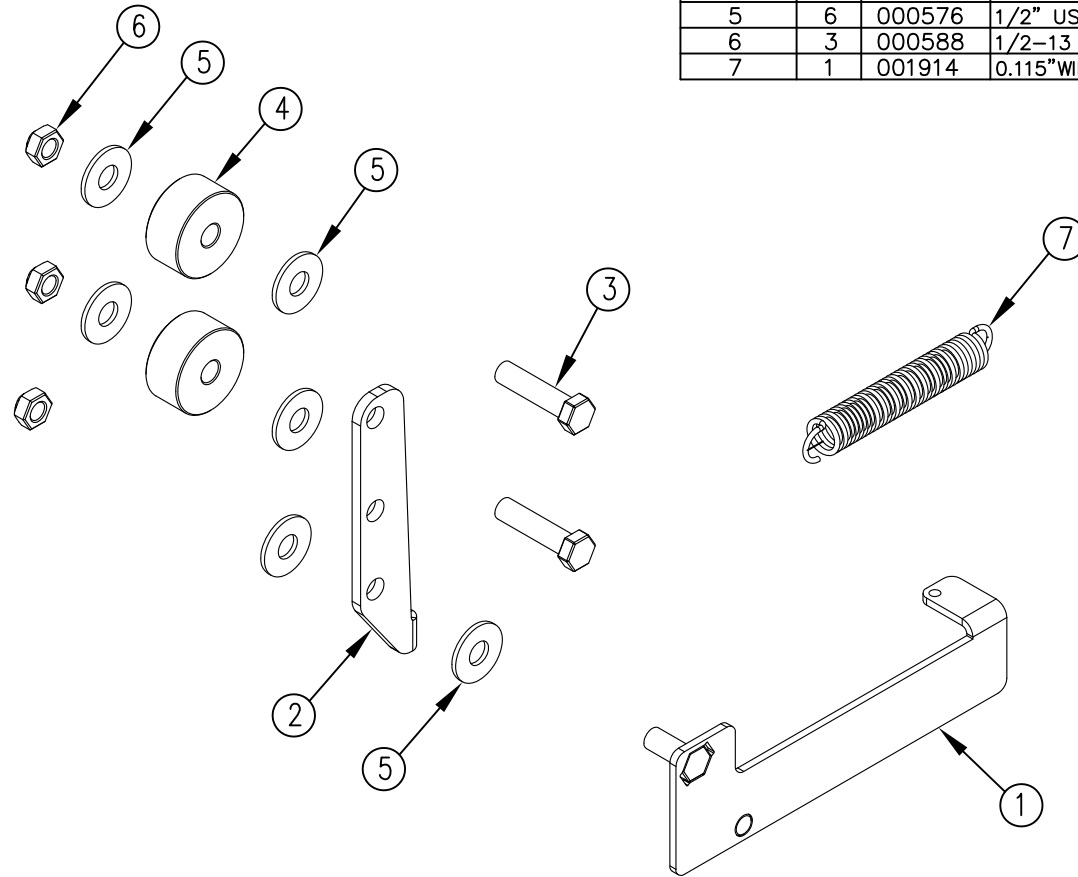


ITEM NO.	QTY.	PART NO.	DESCRIPTION
1	1	013717	PLATFORM CATCH WELDMENT
2	1	013698	PLATFORM CATCH ARM
3	2	000522	1/2-13x2" HHCS GR5
4	2	001118	2.000 "DIA X 0.938" NYLATRON ROLLER
5	6	000576	1/2" USS FLAT WASHER
6	3	000588	1/2-13 CROWN LOCK NUT
7	1	001914	0.115"WIREX0.75"X5.5" EX. SPRING



				THIRD ANGLE PROJECTION			FILENAME:				WOODBINE MFG. CO. BUS BROWN DRIVE WOODBINE, IOWA 51579							
							SYMBOLY PER ANSI Y14.5				NOTES:							
				DECIMAL 2PLC 3PLC			DRAWN BY. JCB				712-647-2050							
				MACHINE SAW, DRILL .030 .015			DRAWN/DATE 7/29/14				THE INFORMATION HERE IS CONFIDENTIAL AND MUST NOT BE USED IN ANYWAY DETRIMENTAL TO THE INTEREST OF WOODBINE MFG.							
				SHEAR, PUNCH FORM .060 .030			APPVD/DATE				TITLE REPLACEMENT PASSIVE LATCH (TUCKUNDER)							
				TORCH, WELDING ROUGH CAST .090 .060			SALES CATEGORY				PRODUCT LINE		SCALE 1:4		FIN. WT.		PART NO. 14041	
REV.	DATE	CHANGE RECORD			BY	APPVD	ECN	DRAFT 2'	ANGULAR ±1'									
A	7/29/14	RELEASED TO PRODUCTION			JCB		1075											