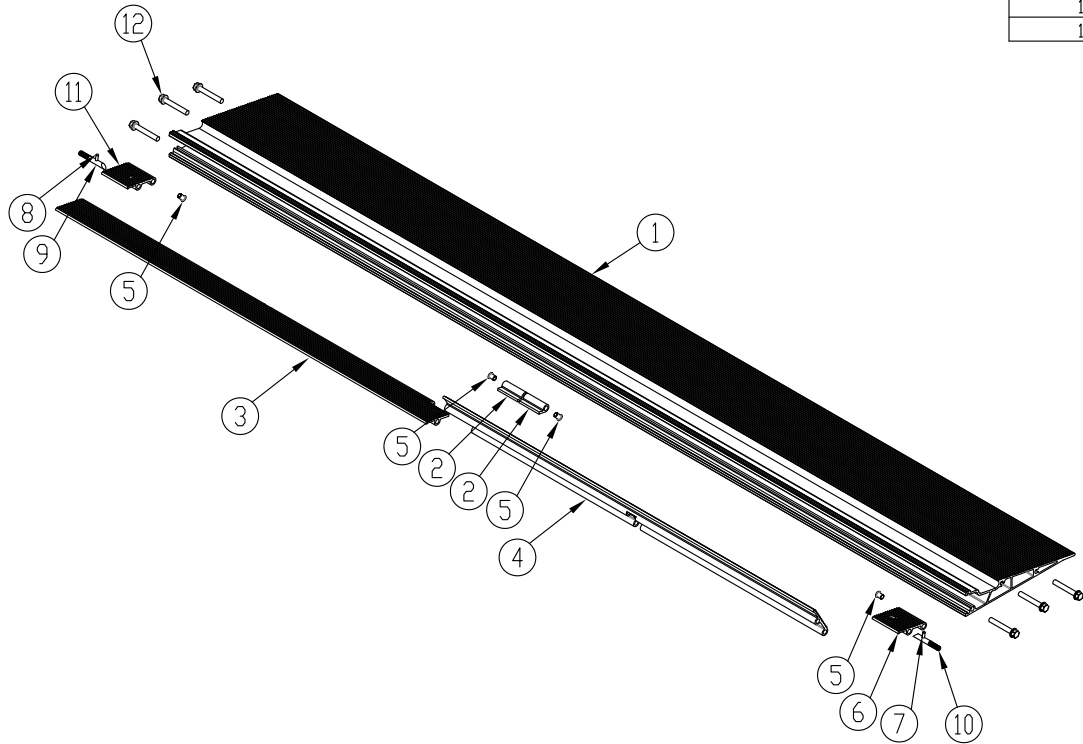


ITEM NO.	QTY.	PART NO.	DESCRIPTION
1	1	011215	SECTION#565868-88'(12"AL.TAPER W/CS 1PC)(85)
2	2	013418	DIE#5459-2-3/16" CART STOP HALF BUSHING-RAIL
3	1	014460	CART STOP FLIPPER ASSEMBLY (85) RIGHT
4	1	014455	CART STOP FLIPPER ASSEMBLY (85) LEFT
5	4	014465	3/8" x 5/16" x 1/2" PLASTIC FLANGE BUSHING
6	1	010501	(FLIPPER PIVOT ANCHOR)CANTILEVER/RAIL(L)25/30
7	2	014466	3/16"DIA.x1" ROLL PIN PLATED(RAIL)
8	2	011228	3/8" NAIL EASY DRIVE #4
9	2	010360	.375"DIA.x1.75" CART STOP PIN(CANTILEVER/RAIL25/30)
10	2	010361	2" COMPRESSION SPRING(.36"OD) CARTSTOP
11	1	010353	SECTION#565362-2.85" (FLIPPER PIVOT ANCHOR)
12	6	012641	3/8-16x2-1/2" HEX TAP-FLEX BOLT
13	1	095102	REPLACEMENT 12" BOLT-ON TAPER INSTRUCTIONS - RAILGATE



REV.	DATE	CHANGE RECORD	BY	APPVD	ECN	THIRD ANGLE PROJECTION	FILENAME:	SYMBOLY PER ANSI Y14.5	NOTES:	WOODBINE MFG. CO. BUS BROWN DRIVE WOODBINE, IOWA 51579		
D	1/16/17	ADDED 95102	JCB		1778							
C	10/19/15	ADDED (2) 014465	GDB		1500		DECIMAL	2PLC	3PLC			
B	8/7/15	REMOVED 12870, 12776, 11225, 10373, 10646, 10586, AND 10374; ADDED 14455, 14460, 14465, AND 14466	GDB		1331		MACHINE SAW, DRILL	.030	.015		DRAWN BY GDB	
A	4/30/14	RELEASED TO PRODUCTION	GDB		1113		SHEAR, PUNCH FORM	.060	.030		DRAWN/DATE 4/30/14	
							TORCH, WELDING ROUGH CAST	.090	.060		APPVD/DATE	
						DRAFT 2°	ANGULAR ±1°	SALES CATEGORY	PRODUCT LINE	SCALE 1:15	FIN. WT.	PART NO. 013839

THE INFORMATION HERE IS CONFIDENTIAL AND MUST NOT BE USED IN ANYWAY DETRIMENTAL TO THE INTEREST OF WOODBINE MFG.

(85) 12" REP EA BOLT ON TAPER W/CS (TX)