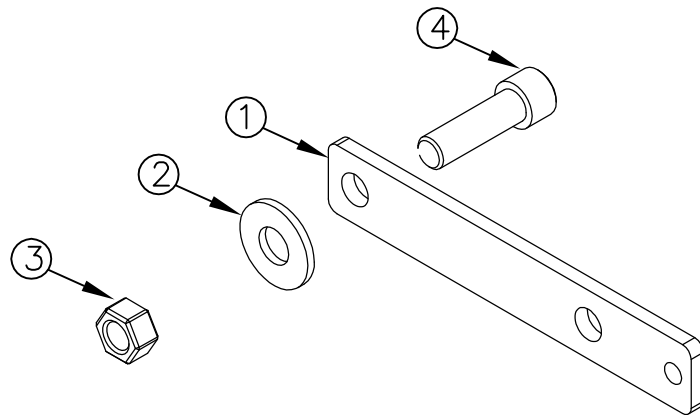


ITEM NO.	QTY.	PART NO.	DESCRIPTION
1	1	013674	PLATED SELF CLOSE RAIL LATCH FLIPPER(TX)
2	1	000575	3/8" USS FLAT WASHER
3	1	000597	3/8-16 2 WAY LOCK NUT
4	1	000594	3/8-16x1-1/4" SHCS ZP



						THIRD ANGLE PROJECTION	FILENAME:	WOODBINE MFG. CO. BUS BROWN DRIVE WOODBINE, IOWA 51579				
							SYMBOLY PER ANSI Y14.5	NOTES:				
						DECIMAL MACHINE SAW, DRILL	2PLC .030	3PLC .015	DRAWN BY. GDB			
						SHEAR, PUNCH FORM	.060	.030	DRAWN/DATE 4/30/14			
						TORCH, WELDING ROUGH CAST	.090	.060	APPVD/DATE			
A	4/30/14	RELEASED TO PRODUCTION			GDB	1113	TITLE REPLACEMENT SC LATCH FLIPPER(TX)		712-647-2050			
REV.	DATE	CHANGE RECORD			BY	APPVD	ECN	DRAFT 2"	ANGULAR ±1"			
								SALES CATEGORY	PRODUCT LINE	SCALE 1:2	FIN. WT.	PART NO. 013823



THE INFORMATION HERE IS CONFIDENTIAL AND MUST NOT BE USED IN ANYWAY DETRIMENTAL TO THE INTEREST OF WOODBINE MFG.