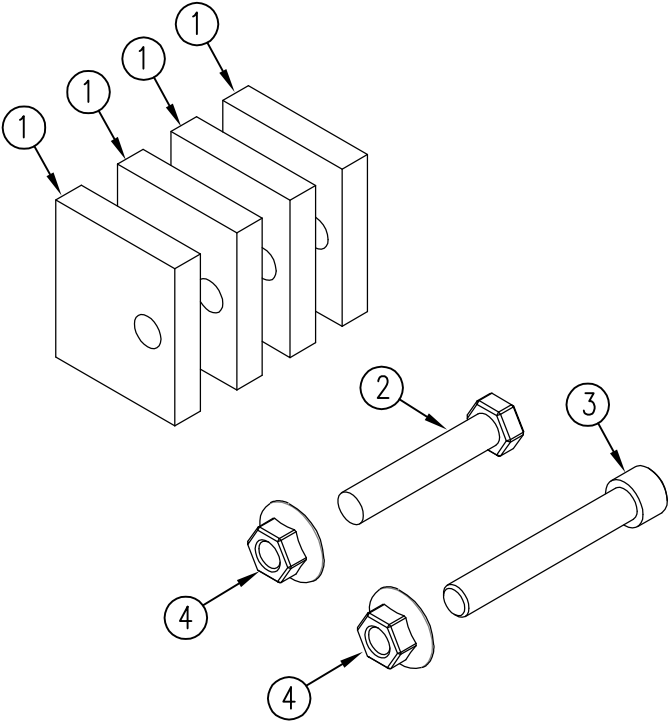


ITEM NO.	QTY.	PART NO.	DESCRIPTION
1	4	012238	.375"x1.75"x2" ALUM RAIL FLAT STOP(TX)
2	1	000516	3/8-16x2" HHCS GR5
3	1	012649	3/8-16x2-1/2" USS SOC HD CAP
4	2	000553	3/8-16 LARGE FLNG LOCK NUT



						THIRD ANGLE PROJECTION	FILENAME:	WOODBINE MFG. CO.				
							SYMBOLY PER ANSI Y14.5	BUS BROWN DRIVE				
						DECIMAL	2PLC	3PLC	NOTES:			
						MACHINE SAW, DRILL	.030	.015				
						SHEAR, PUNCH FORM	.060	.030				
						TORCH, WELDING ROUGH CAST	.090	.060				
A	2/20/14	RELEASED TO PRODUCTION			GDB	1044	DRAWN BY:	712-647-2050				
							GDB					
							DRAWN/DATE	THE INFORMATION HERE IS CONFIDENTIAL AND MUST NOT BE USED IN ANYWAY DETRIMENTAL TO THE INTEREST OF WOODBINE MFG.				
							2/20/14					
							APPVD/DATE	TITLE				
								REPLACEMENT PLATFORM STOP BLOCK KIT (TX)				
REV.	DATE	CHANGE RECORD			BY	APPVD	ECN	SALES CATEGORY	PRODUCT LINE	SCALE	FIN. WT.	PART NO.
										1:1		013642