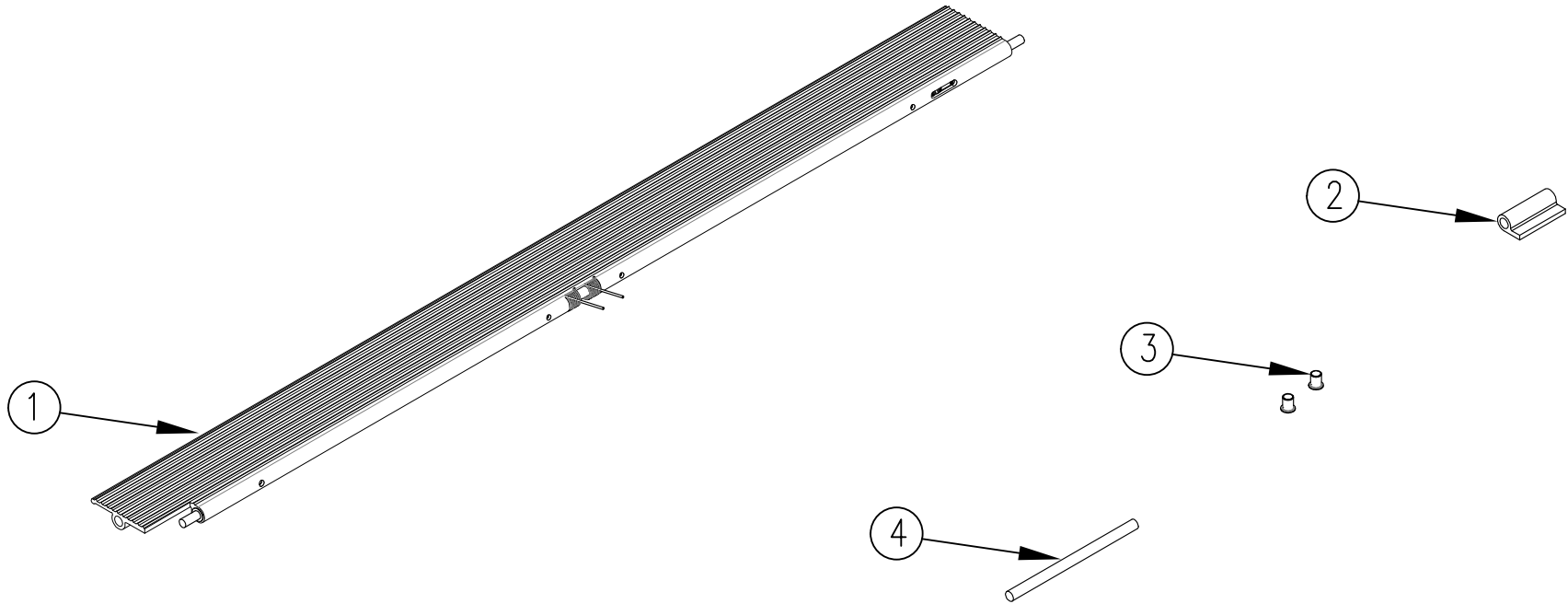


| ITEM NO. | QTY. | PART NO. | DESCRIPTION |
|----------|------|----------|---------------------------------------------|
| 1 | 1 | 014461 | CART STOP FLIPPER ASSEMBLY (79) RIGHT |
| 2 | 1 | 013418 | CART STOP HALF BUSHING |
| 3 | 2 | 014465 | 3/8" x 5/16" x 1/2" PLASTIC FLANGE BUSHING |
| 4 | 1 | 013532 | .38"DIA.x6"STAINLESS STEEL ROD |
| 5 | 1 | 095179 | REMOVABLE CART STOP (IN TAPER) REPL. INSTR. |



| REV. | DATE | CHANGE RECORD | BY | APPVD | ECN | THIRD ANGLE PROJECTION | FILENAME: | SYMBOLY PER ANSI Y14.5 | NOTES: | WOODBINE MFG. CO. BUS BROWN DRIVE WOODBINE, IOWA 51579 712-647-2050 |
|------|---------|---------------------------------------------------------------------------------|-----|-------|------|---------------------------|-------------|------------------------|--------------|------------------------------------------------------------------------------|
| C | 1/13/16 | ADDED 13532 | GDB | | 1562 | MACHINE SAW, DRILL | DECIMAL | 2PLC | 3PLC | DRAWN BY: JCB |
| B | 8/7/15 | REMOVED 12781, 11224, 10646, 10373, AND 95124; ADDED 14461, 14465, AND 95179 | GDB | | 1331 | SHEAR, PUNCH FORM | .030 | .015 | | DRAWN/DATE: 12/9/13 |
| A | 12/9/13 | RELEASED TO PRODUCTION | JCB | | 1019 | TORCH, WELDING ROUGH CAST | .060 | .030 | | APPVD/DATE |
| | | | | | | DRAFT 2' | ANGULAR ±1' | SALES CATEGORY | PRODUCT LINE | SCALE 1:6 |
| | | | | | | | | | | FIN. WT. |
| | | | | | | | | | | PART NO. 13574 |

THE INFORMATION HERE IS CONFIDENTIAL AND MUST NOT BE USED IN ANYWAY DETRIMENTAL TO THE INTEREST OF WOODBINE MFG.

