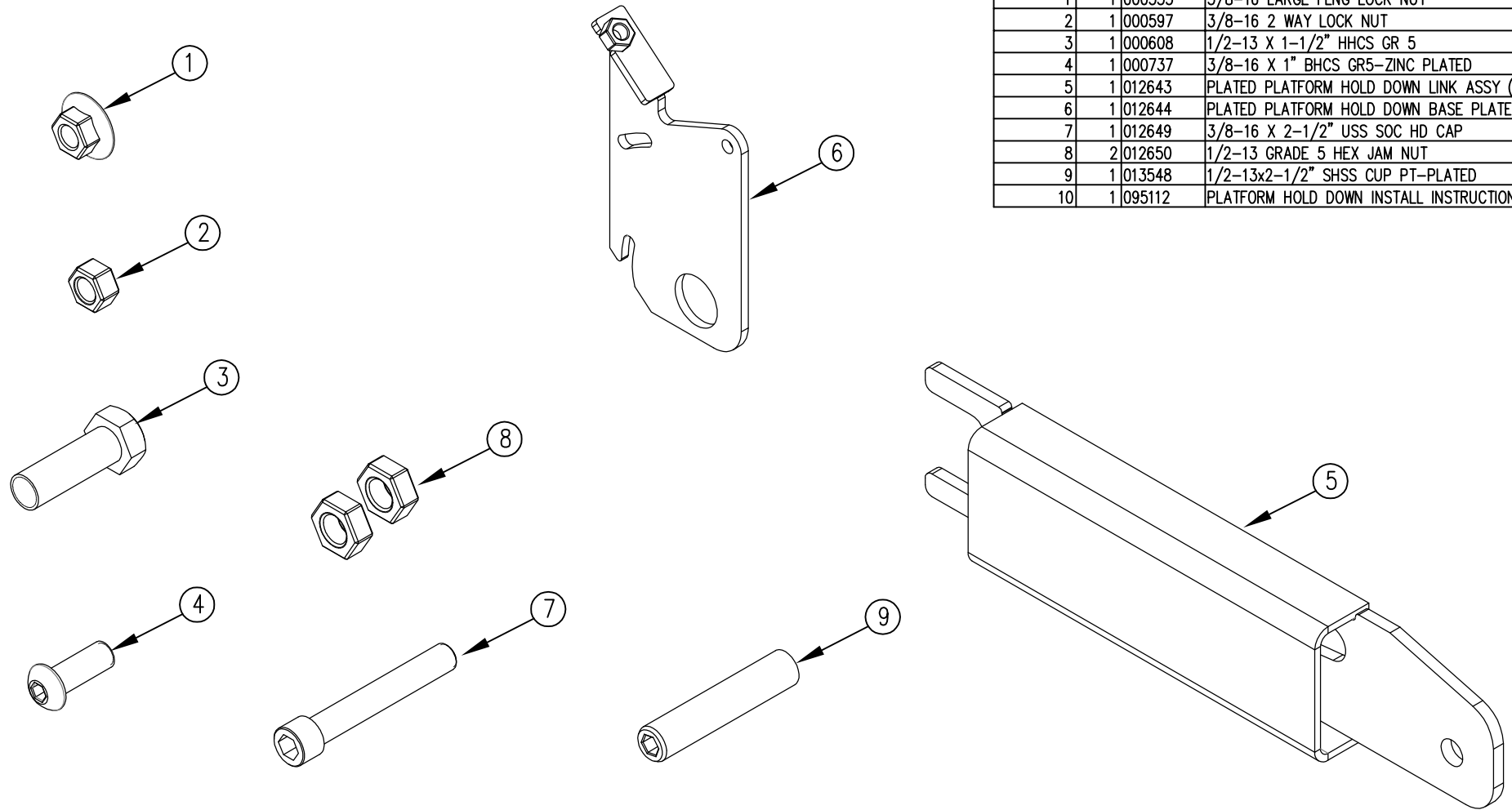


ITEM NO.	QTY.	PART NO.	DESCRIPTION
1	1	000553	3/8-16 LARGE FLNG LOCK NUT
2	1	000597	3/8-16 2 WAY LOCK NUT
3	1	000608	1/2-13 X 1-1/2" HHCS GR 5
4	1	000737	3/8-16 X 1" BHCS GR5-ZINC PLATED
5	1	012643	PLATED PLATFORM HOLD DOWN LINK ASSY (TX)
6	1	012644	PLATED PLATFORM HOLD DOWN BASE PLATE (TX)
7	1	012649	3/8-16 X 2-1/2" USS SOC HD CAP
8	2	012650	1/2-13 GRADE 5 HEX JAM NUT
9	1	013548	1/2-13x2-1/2" SHSS CUP PT-PLATED
10	1	095112	PLATFORM HOLD DOWN INSTALL INSTRUCTIONS(TX)



REV.	DATE	CHANGE RECORD	BY	APPVD	ECN	DRAFT	ANGULAR	SALES CATEGORY	PRODUCT LINE	SCALE	FIN. WT.	PART NO.
B	3/10/14	ADDED (1) 012650 AND (1) 013548	GDB		1076	2"	±1°			1:8		13357
A	5/24/13	RELEASED TO PRODUCTION	LSB		897	2"	±1°			1:8		13357

THIRD ANGLE PROJECTION		
DECIMAL	2PLC	3PLC
MACHINE SAW, DRILL	.030	.015
SHEAR, PUNCH FORM	.060	.030
TORCH, WELDING ROUGH CAST	.090	.060
DRAFT	2"	
ANGULAR	±1°	

FILENAME:	SYMBOLGY PER ANSI Y14.5	NOTES:
DRAWN BY:	LSB	
DRAWN/DATE:	5/24/13	
APPVD/DATE:		
TITLE:	RAILGATE PLATFORM HOLD DOWN IN FIELD INSTALLATION KIT (TX)	

WOODBINE MFG. CO.
 BUS BROWN DRIVE
 WOODBINE, IOWA 51579
 712-647-2050

THE INFORMATION HERE IS CONFIDENTIAL AND MUST NOT BE USED IN ANYWAY DETRIMENTAL TO THE INTEREST OF WOODBINE MFG.