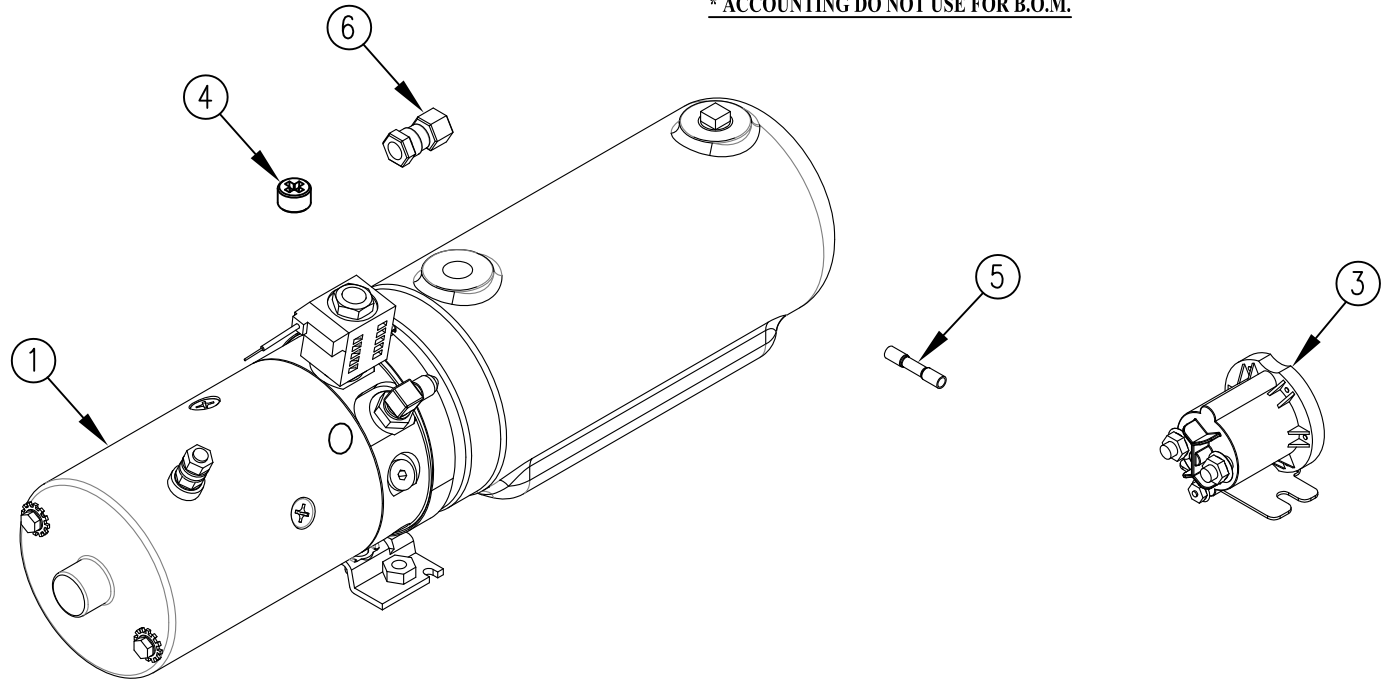


ITEM NO.	QTY.	PART NO.	DESCRIPTION
1	1	004489	RAIL (N) P&M 3QT
2	0.625 GAL	009034	HYDRAULIC OIL
3	1	004321*	MONARCH 3-POST SOLENOID
4	1	004403*	VENT PLUG
5	1	009089	16-14 HEAT SHRINK BUTT CONNECTOR
6	1	012967	#4 FJIC TO #4 FEMALE NPT ADAPTOR (6506-4-4)
7	1	095048	REPLACEMENT POWER UNIT INSTALLATION INSTR.

* ACCOUNTING DO NOT USE FOR B.O.M.



REV.	DATE	CHANGE RECORD	BY	APPVD	ECN	DRAFT	ANGULAR	SCALE	FIN. WT.	PART NO.	
B	11/14/13	ADDED (1) 012967	GDB		1004	2'	±1'	1:4		13268	
A	2/20/13	RELEASED TO PRODUCTION	MTC		845						
						THIRD ANGLE PROJECTION	FILENAME:		WOODBINE MFG. CO. BUS BROWN DRIVE WOODBINE, IOWA 51579		
							SYMBOLY PER ANSI Y14.5		NOTES:		
						DECIMAL	2PLC	3PLC	DRAWN BY.		
						MACHINE SAW, DRILL	.030	.015	MTC		
						SHEAR, PUNCH FORM	.060	.030	DRAWN/DATE		
						TORCH, WELDING ROUGH CAST	.090	.060	2/20/13		
										712-647-2050	
										<small>THE INFORMATION HERE IS CONFIDENTIAL AND MUST NOT BE USED IN ANYWAY DETRIMENTAL TO THE INTEREST OF WOODBINE MFG.</small>	
										TITLE	
										M319 REPLACEMENT PUMP&MOTOR(2100psi)3QT. 1600# RAILGATE(TX)	