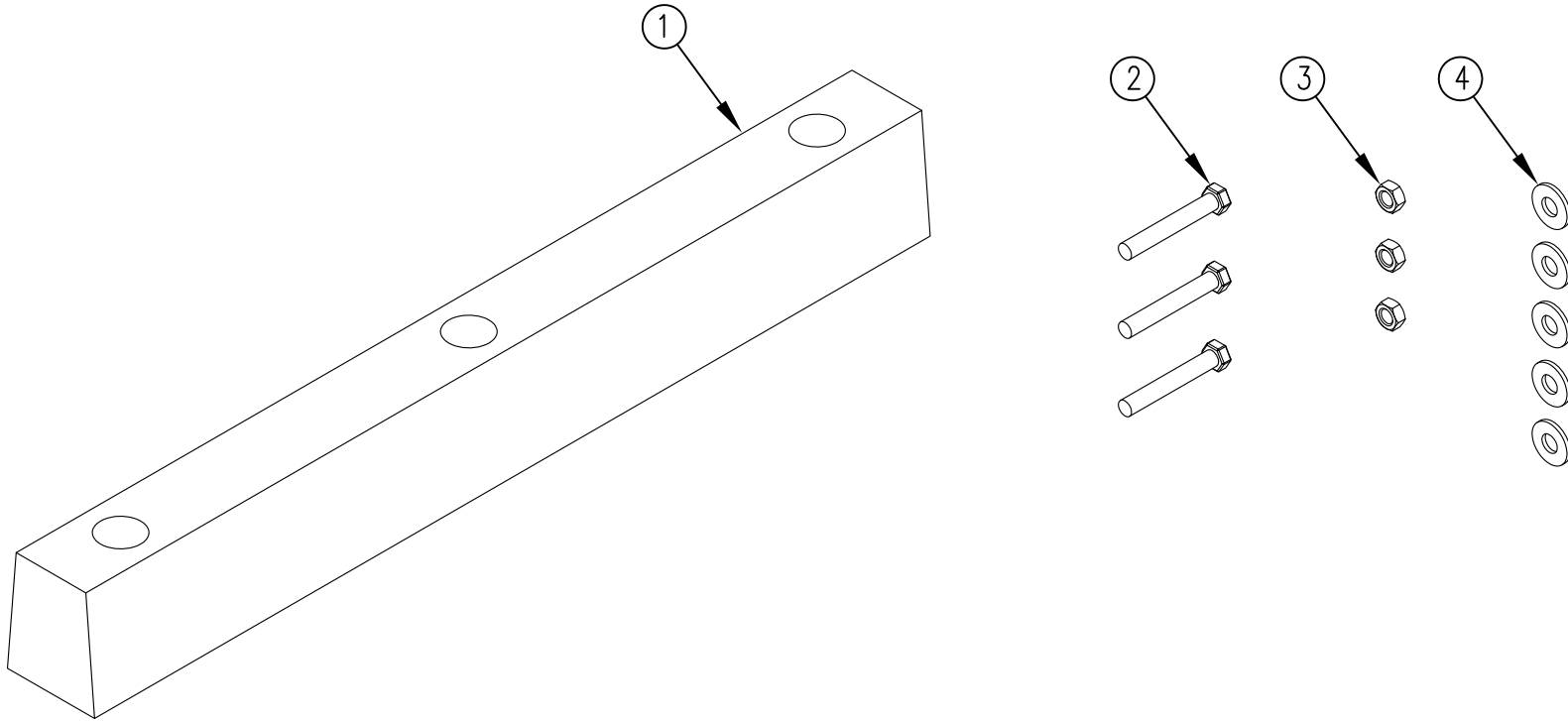


ITEM NO.	QTY.	PART NO.	DESCRIPTION
1	1	011598	24" RUBBER BUMPER
2	3	000517	3/8-16x2-1/2"HHCS GR5
3	3	000605	3/8-16 USS LOCK NUT
4	5	000575	3/8 USS FLAT WASHER



				THIRD ANGLE PROJECTION			FILENAME:		WOODBINE MFG. CO.															
							SYMBOLY PER ANSI Y14.5		BUS BROWN DRIVE															
				<table border="1"> <tr> <th>DECIMAL</th> <th>2PLC</th> <th>3PLC</th> </tr> <tr> <td>MACHINE SAW, DRILL</td> <td>.030</td> <td>.015</td> </tr> <tr> <td>SHEAR, PUNCH FORM</td> <td>.060</td> <td>.030</td> </tr> <tr> <td>TORCH, WELDING ROUGH CAST</td> <td>.090</td> <td>.060</td> </tr> </table>			DECIMAL	2PLC	3PLC	MACHINE SAW, DRILL	.030	.015	SHEAR, PUNCH FORM	.060	.030	TORCH, WELDING ROUGH CAST	.090	.060	DRAWN BY: JCB		NOTES:		WOODBINE, IOWA 51579	
DECIMAL	2PLC	3PLC																						
MACHINE SAW, DRILL	.030	.015																						
SHEAR, PUNCH FORM	.060	.030																						
TORCH, WELDING ROUGH CAST	.090	.060																						
				DRAWN/DATE 3/13/14		712-647-2050																		
A 3/13/14				RELEASED TO PRODUCTION			APPVD/DATE		THE INFORMATION HERE IS CONFIDENTIAL AND MUST NOT BE USED IN ANYWAY DETRIMENTAL TO THE INTEREST OF WOODBINE MFG.															
REV. DATE				CHANGE RECORD			TITLE REPLACEMENT DOCK BUMPER (TUCKUNDER)																	
				BY APPVD ECN			SALES CATEGORY		PRODUCT LINE	SCALE 1:4	FIN. WT.	PART NO. 12952												