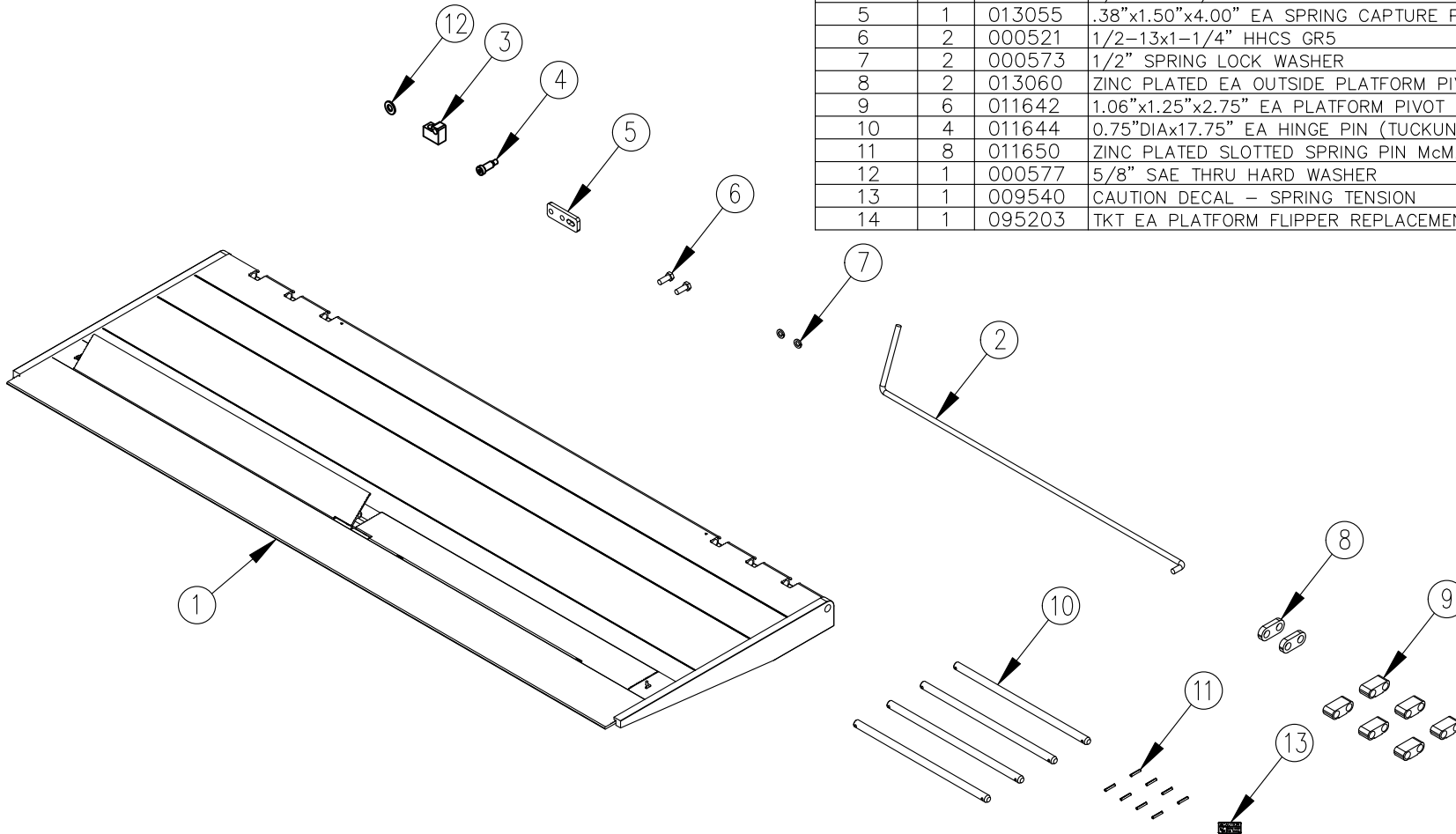
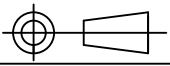



ITEM NO.	QTY.	PART NO.	DESCRIPTION
1	1	011638	30" EA FLIPPER W/ CS (TUCKUNDER)
2	1	013049	.50"EA FLIPPER SPRING(TUCKUNDER)
3	1	013697	ZINC PLATED EA TORSION SPRING SWIVEL
4	1	011656	5/8" X 1-1/4" SHOULDER BOLT- ZINC PLATED
5	1	013055	.38"x1.50"x4.00" EA SPRING CAPTURE PLATE (TUCKUNDER)
6	2	000521	1/2-13x1-1/4" HHCS GR5
7	2	000573	1/2" SPRING LOCK WASHER
8	2	013060	ZINC PLATED EA OUTSIDE PLATFORM PIVOT HINGE
9	6	011642	1.06"x1.25"x2.75" EA PLATFORM PIVOT HINGE (TUCKUNDER)
10	4	011644	0.75"DIAx17.75" EA HINGE PIN (TUCKUNDER)
11	8	011650	ZINC PLATED SLOTTED SPRING PIN McMASTER CARR #90692A301
12	1	000577	5/8" SAE THRU HARD WASHER
13	1	009540	CAUTION DECAL - SPRING TENSION
14	1	095203	TKT EA PLATFORM FLIPPER REPLACEMENT INSTRUCTIONS



F	2/19/20	577 WAS 576, 11656 WAS 13057	CDM	2432	THIRD ANGLE PROJECTION  UNLESS OTHERWISE SPECIFIED DIMENSIONS ARE IN INCHES TOLERANCES: FRACTIONAL ±1/16 ANGULAR MACH ±1° BEND ±1° TWO PLACE DECIMAL ±0.030 THREE PLACE DECIMAL ±0.010	DRAWN BY JCB DRAWN/DATE 7/29/14 APPVD/DATE - DO NOT SCALE DRAWING	NOTES: TITLE REPL. 30" AL FOLDING EXT. (TUCKUNDER) CS	WOODBINE MFG. CO. BUS BROWN DRIVE WOODBINE, IOWA 51579 
E	4/5/16	95203 WAS 95168	GDB	1600		SCALE 1:16	WEIGHT -	PART NO. 12947
D	6/10/15	ADDED 576	GDB	1410	THE INFORMATION HERE IS CONFIDENTIAL AND MUST NOT BE USED IN ANY WAY DETRIMENTAL TO THE INTEREST OF WOODBINE MFG.			
C	3/20/15	ADDED 095168, 13049 WAS 11615	GDB	1348				
B	2/24/15	REMOVED (1) 13055	GDB	1328				
REV.	DATE	CHANGE RECORD	BY	APPVD	ECN			