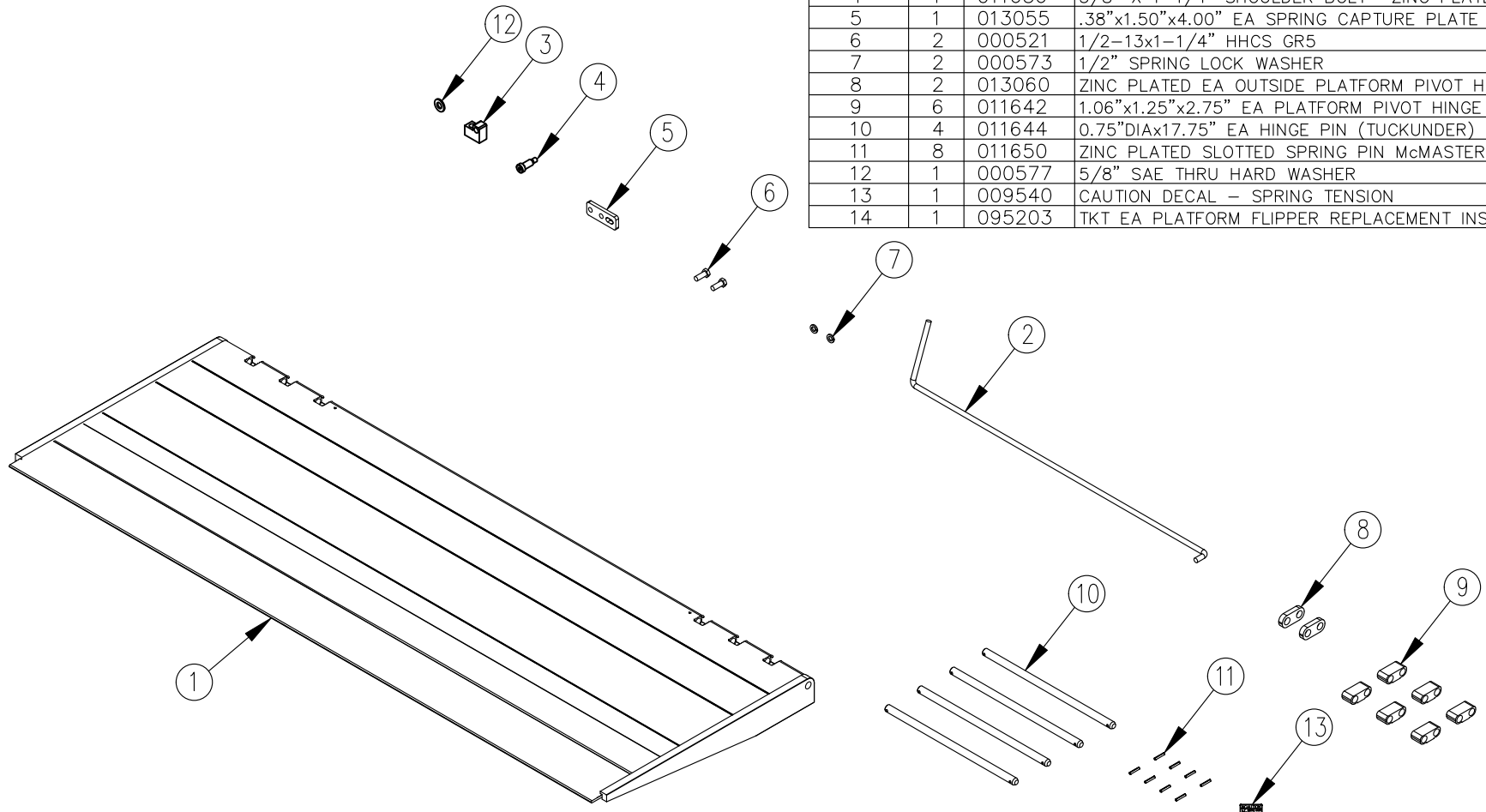
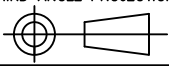



ITEM NO.	QTY.	PART NO.	DESCRIPTION
1	1	012816	30" EA FLIPPER (TUCKUNDER)
2	1	013049	.50"EA FLIPPER SPRING(TUCKUNDER)
3	1	013697	ZINC PLATED EA TORSION SPRING SWIVEL
4	1	011656	5/8" X 1-1/4" SHOULDER BOLT- ZINC PLATED
5	1	013055	.38"x1.50"x4.00" EA SPRING CAPTURE PLATE (TUCKUNDER)
6	2	000521	1/2-13x1-1/4" HHCS GR5
7	2	000573	1/2" SPRING LOCK WASHER
8	2	013060	ZINC PLATED EA OUTSIDE PLATFORM PIVOT HINGE
9	6	011642	1.06"x1.25"x2.75" EA PLATFORM PIVOT HINGE (TUCKUNDER)
10	4	011644	0.75"DIAx17.75" EA HINGE PIN (TUCKUNDER)
11	8	011650	ZINC PLATED SLOTTED SPRING PIN McMASTER CARR #90692A301
12	1	000577	5/8" SAE THRU HARD WASHER
13	1	009540	CAUTION DECAL - SPRING TENSION
14	1	095203	TKT EA PLATFORM FLIPPER REPLACEMENT INSTRUCTIONS



F	2/19/20	577 WAS 576, 11656 WAS 13057	CDM	2432	<b>THIRD ANGLE PROJECTION</b>  UNLESS OTHERWISE SPECIFIED DIMENSIONS ARE IN INCHES TOLERANCES: FRACTIONAL ±1/16 ANGULAR MACH ±1° BEND ±1° TWO PLACE DECIMAL ±0.030 THREE PLACE DECIMAL ±0.010	DRAWN BY <b>JCB</b> DRAWN/DATE <b>7/29/14</b> APPVD/DATE - DO NOT SCALE DRAWING	<b>NOTES:</b>    TITLE <b>REPL. 30" AL FOLDING EXT.          (TUCKUNDER)</b>	WOODBINE MFG. CO. BUS BROWN DRIVE WOODBINE, IOWA 51579 	
E	4/5/16	95203 WAS 95168	GDB	1600					
D	6/10/15	ADDED 576	GDB	1410					
C	3/20/15	ADDED 095168, 13049 WAS 11615	GDB	1348					
B	2/24/15	REMOVED (1) 13055	GDB	1328					
REV.	DATE	CHANGE RECORD	BY	APPVD	ECN	THE INFORMATION HERE IS CONFIDENTIAL AND MUST NOT BE USED IN ANY WAY DETRIMENTAL TO THE INTEREST OF WOODBINE MFG.	SCALE <b>1:16</b>	WEIGHT -	PART NO. <b>12940</b>