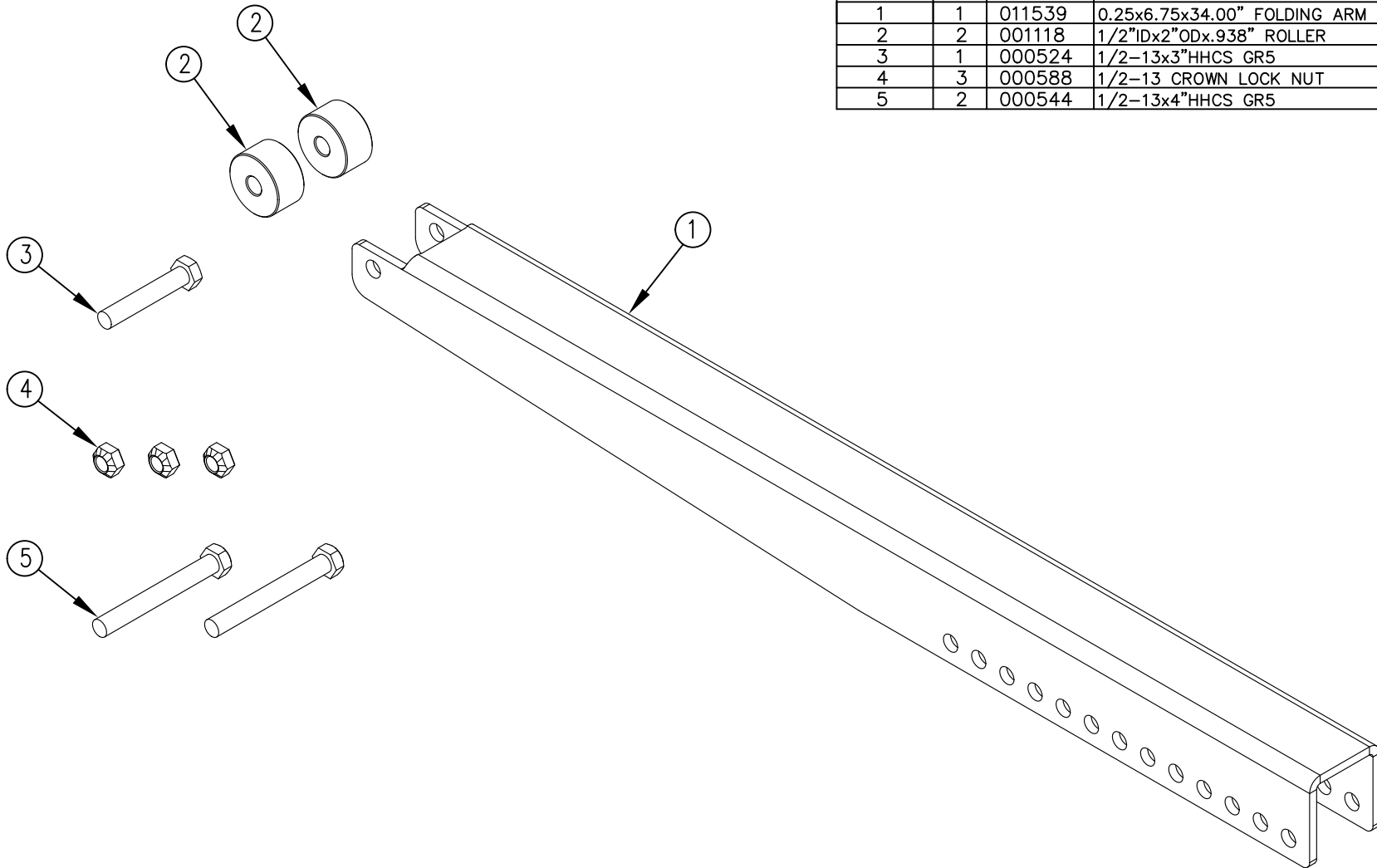



ITEM NO.	QTY.	PART NO.	DESCRIPTION
1	1	011539	0.25x6.75x34.00" FOLDING ARM (TUCKUNDER)
2	2	001118	1/2"IDx2"ODx.938" ROLLER
3	1	000524	1/2-13x3"HHCS GR5
4	3	000588	1/2-13 CROWN LOCK NUT
5	2	000544	1/2-13x4"HHCS GR5



REV.	DATE	CHANGE RECORD	BY	APPVD	ECN	THIRD ANGLE PROJECTION	FILENAME:	SYMBOLY PER ANSI Y14.5	NOTES:	WOODBINE MFG. CO. BUS BROWN DRIVE WOODBINE, IOWA 51579																														
A.1	9/8/14	BOM CORRECTION, 1118 WAS 1909	GDB			<table border="1"> <tr> <td>DECIMAL</td> <td>2PLC</td> <td>3PLC</td> </tr> <tr> <td>MACHINE SAW, DRILL</td> <td>.030</td> <td>.015</td> </tr> <tr> <td>SHEAR, PUNCH, FORM</td> <td>.060</td> <td>.030</td> </tr> <tr> <td>TORCH, WELDING, ROUGH CAST</td> <td>.090</td> <td>.060</td> </tr> <tr> <td>DRAFT 2°</td> <td>ANGULAR ±1°</td> <td></td> </tr> </table>	DECIMAL	2PLC	3PLC	MACHINE SAW, DRILL	.030	.015	SHEAR, PUNCH, FORM	.060	.030	TORCH, WELDING, ROUGH CAST	.090	.060	DRAFT 2°	ANGULAR ±1°		<table border="1"> <tr> <td>DRAWN BY.</td> <td>JCB</td> </tr> <tr> <td>DRAWN/DATE</td> <td>3/11/14</td> </tr> <tr> <td>APPVD/DATE</td> <td></td> </tr> </table>	DRAWN BY.	JCB	DRAWN/DATE	3/11/14	APPVD/DATE		<table border="1"> <tr> <td>SALES CATEGORY</td> <td>PRODUCT LINE</td> <td>SCALE</td> <td>FIN. WT.</td> <td>PART NO.</td> </tr> <tr> <td></td> <td></td> <td>1:4</td> <td></td> <td>12938</td> </tr> </table>	SALES CATEGORY	PRODUCT LINE	SCALE	FIN. WT.	PART NO.			1:4		12938	<p>712-647-2050</p>  <p>THE INFORMATION HERE IS CONFIDENTIAL AND MUST NOT BE USED IN ANYWAY DETRIMENTAL TO THE INTEREST OF WOODBINE MFG.</p>
DECIMAL	2PLC	3PLC																																						
MACHINE SAW, DRILL	.030	.015																																						
SHEAR, PUNCH, FORM	.060	.030																																						
TORCH, WELDING, ROUGH CAST	.090	.060																																						
DRAFT 2°	ANGULAR ±1°																																							
DRAWN BY.	JCB																																							
DRAWN/DATE	3/11/14																																							
APPVD/DATE																																								
SALES CATEGORY	PRODUCT LINE	SCALE	FIN. WT.	PART NO.																																				
		1:4		12938																																				
A	3/11/14	RELEASED TO PRODUCTION	JCB		1075																																			