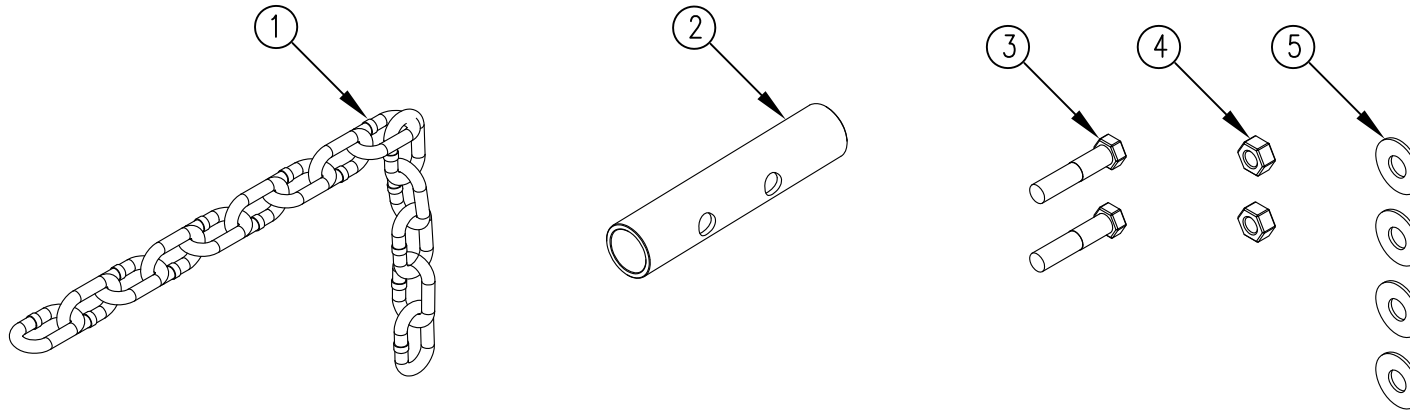


ITEM NO.	QTY.	PART NO.	DESCRIPTION
1	1	012852	CHAIN-7MM X 14 LINKS-ZINC
2	1	013669	LATCH CHAIN MOUNT (TUCKUNDER)
3	2	012853	7/16-14 X 2-1/4" HHCS GRADE 5 BOLT
4	2	012854	7/16-14 GRADE 5 CROWN LOCK NUT
5	4	000580	7/16" USS FLAT WASHER (ZINC)



				THIRD ANGLE PROJECTION			FILENAME:				WOODBINE MFG. CO. BUS BROWN DRIVE WOODBINE, IOWA 51579						
							SYMBOLY PER ANSI Y14.5				NOTES:						
				DECIMAL 2PLC 3PLC			DRAWN BY.				712-647-2050						
				MACHINE SAW, DRILL .030 .015			JCB										
				SHEAR, PUNCH FORM .060 .030			DRAWN/DATE				<small>THE INFORMATION HERE IS CONFIDENTIAL AND MUST NOT BE USED IN ANYWAY DETRIMENTAL TO THE INTEREST OF WOODBINE MFG.</small>						
				TORCH, WELDING ROUGH CAST .090 .060			3/13/14				APPVD/DATE						
A	3/13/14	RELEASED TO PRODUCTION				JCB	1075	TITLE				REPLACEMENT LATCH CHAIN (TUCKUNDER)					
REV.	DATE	CHANGE RECORD				BY	APPVD	ECN	DRAFT 2'		ANGULAR ±1'		SALES CATEGORY	PRODUCT LINE	SCALE 1:4	FIN. WT.	PART NO. 12937