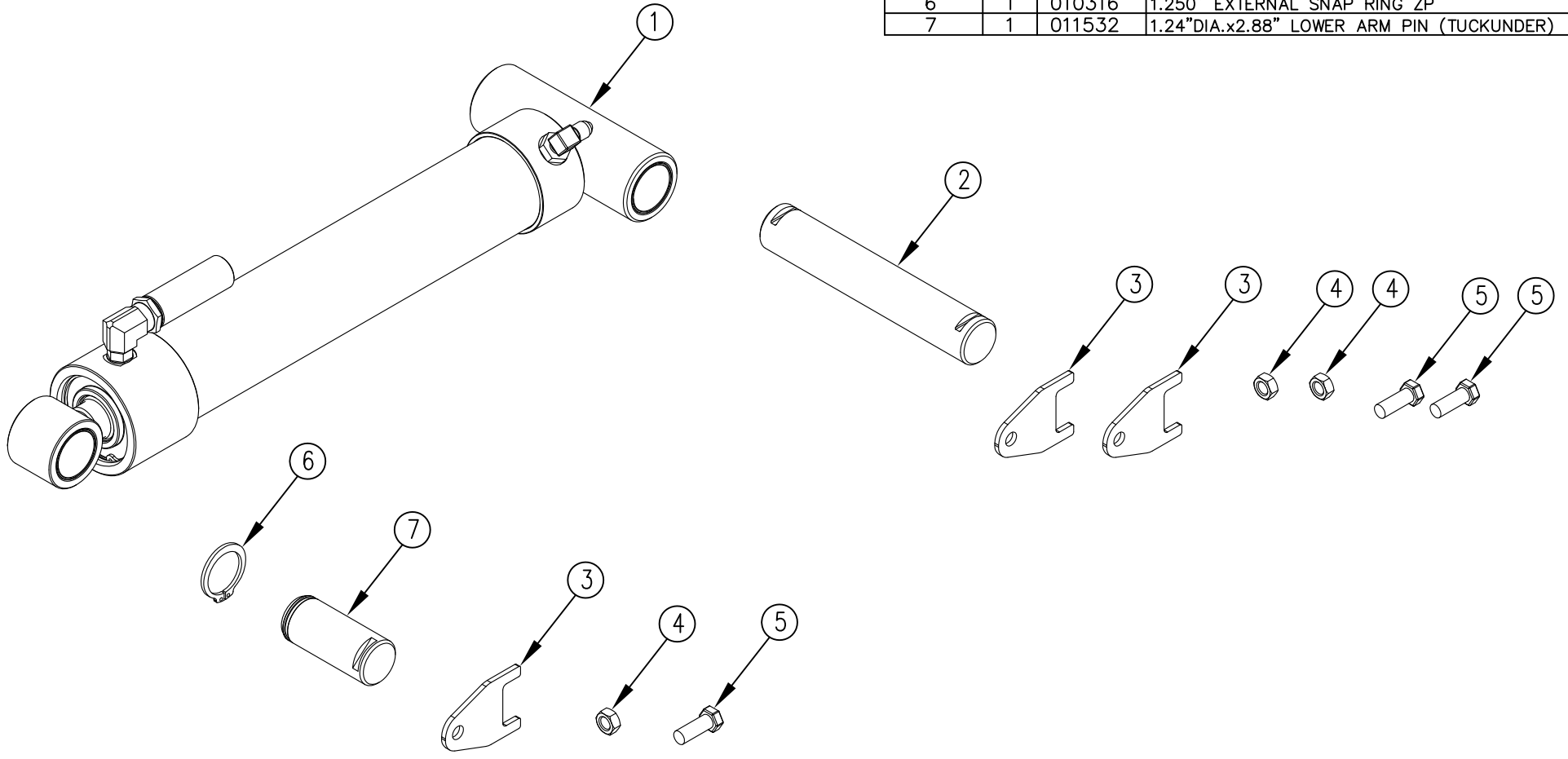


ITEM NO.	QTY.	PART NO.	DESCRIPTION
1	1	011486	TUCKUNDER CYLINDER COMPLETE
2	1	011531	1.24"DIA.x7.13" TRUNNION TUBE PIN (TUCKUNDER)
3	3	012810	ZINC PLATED PIN CLIP (TUCKUNDER)
4	3	000605	3/8-16 USS LOCK NUT
5	3	000509	3/8-16x1"HHCS GR5
6	1	010316	1.250" EXTERNAL SNAP RING ZP
7	1	011532	1.24"DIA.x2.88" LOWER ARM PIN (TUCKUNDER)



				THIRD ANGLE PROJECTION			FILENAME:		WOODBINE MFG. CO. BUS BROWN DRIVE WOODBINE, IOWA 51579																	
							SYMBOLY PER ANSI Y14.5																			
				<table border="1"> <tr> <td>DECIMAL</td> <td>2PLC</td> <td>3PLC</td> </tr> <tr> <td>MACHINE SAW, DRILL</td> <td>.030</td> <td>.015</td> </tr> <tr> <td>SHEAR, PUNCH FORM</td> <td>.060</td> <td>.030</td> </tr> <tr> <td>TORCH, WELDING ROUGH CAST</td> <td>.090</td> <td>.060</td> </tr> </table>			DECIMAL	2PLC	3PLC	MACHINE SAW, DRILL	.030	.015	SHEAR, PUNCH FORM	.060	.030	TORCH, WELDING ROUGH CAST	.090	.060	DRAWN BY: JCB		NOTES:		712-647-2050			
DECIMAL	2PLC	3PLC																								
MACHINE SAW, DRILL	.030	.015																								
SHEAR, PUNCH FORM	.060	.030																								
TORCH, WELDING ROUGH CAST	.090	.060																								
							DRAWN/DATE 3/11/14																			
							APPVD/DATE		TITLE REPLACEMENT LIFT CYLINDER (TUCKUNDER)																	
A	3/11/14	RELEASED TO PRODUCTION		JCB		1075	SALES CATEGORY		PRODUCT LINE	SCALE 1:4	FIN. WT.	PART NO. 12923														
REV.	DATE	CHANGE RECORD		BY	APPVD	ECN	DRAFT 2'		ANGULAR ±1'																	

THE INFORMATION HERE IS CONFIDENTIAL AND MUST NOT BE USED IN ANYWAY DETRIMENTAL TO THE INTEREST OF WOODBINE MFG.