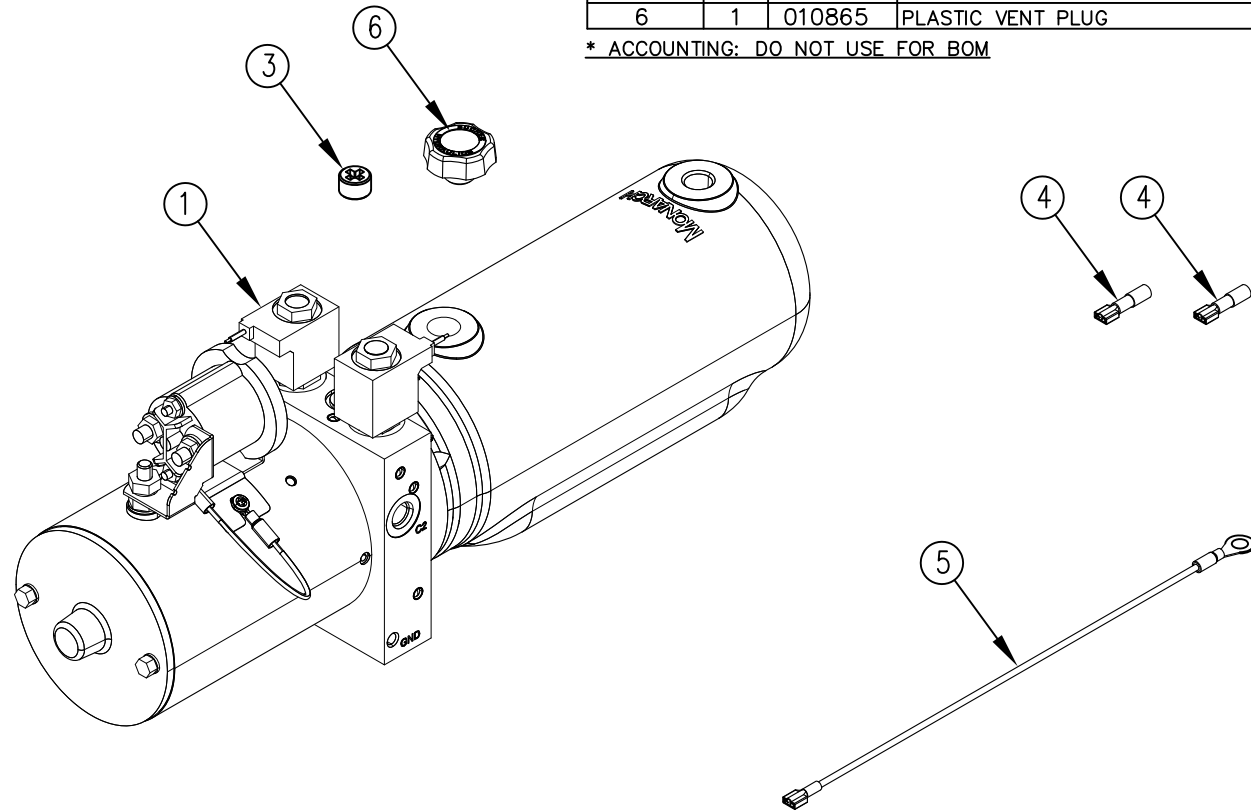


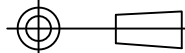
ITEM NO.	QTY.	PART NO.	DESCRIPTION
1	1	011493	MONARCH UNIT3551-0458 3QT. TUCKUNDER
2	0.625 GAL	009034	HYDRAULIC OIL
3	1	004403*	VENT PLUG
4	2	013045	16-14 1/4" FEMALE DISCONNECT HS TERMINAL
5	1	013063	STARTER SWITCH SIGNAL WIRE
6	1	010865	PLASTIC VENT PLUG

* ACCOUNTING: DO NOT USE FOR BOM



REV.	DATE	CHANGE RECORD	BY	APPVD	ECN	DRAFT	ANGULAR	SALES CATEGORY	PRODUCT LINE	SCALE	FIN. WT.	PART NO.
C	4/6/17	ADDED (1) 10865	AAS		1833	2'	±1°			1:4		12921
B	7/29/15	REPLACED (2) 7751 WITH (2) 13045	JCB		1452							
A	3/14/14	RELEASED TO PRODUCTION	JCB		1075							

THIRD ANGLE PROJECTION



DECIMAL 2PLC 3PLC

MACHINE SAW, DRILL .030 .015

SHEAR, PUNCH FORM .060 .030

TORCH, WELDING ROUGH CAST .090 .060

DRAFT 2° ANGULAR ±1°

FILENAME:

SYMBOLGY PER ANSI Y14.5

DRAWN BY.

JCB

DRAWN/DATE

3/14/14

APPVD/DATE

SALES CATEGORY

NOTES:

TITLE

REPL. PUMP & MOTOR 3QT 2500/3000# TKT

PRODUCT LINE

SCALE

1:4

FIN. WT.

PART NO.

WOODBINE MFG. CO.
BUS BROWN DRIVE
WOODBINE, IOWA 51579



THE INFORMATION HERE IS CONFIDENTIAL AND MUST NOT BE USED IN ANYWAY DETRIMENTAL TO THE INTEREST OF WOODBINE MFG.