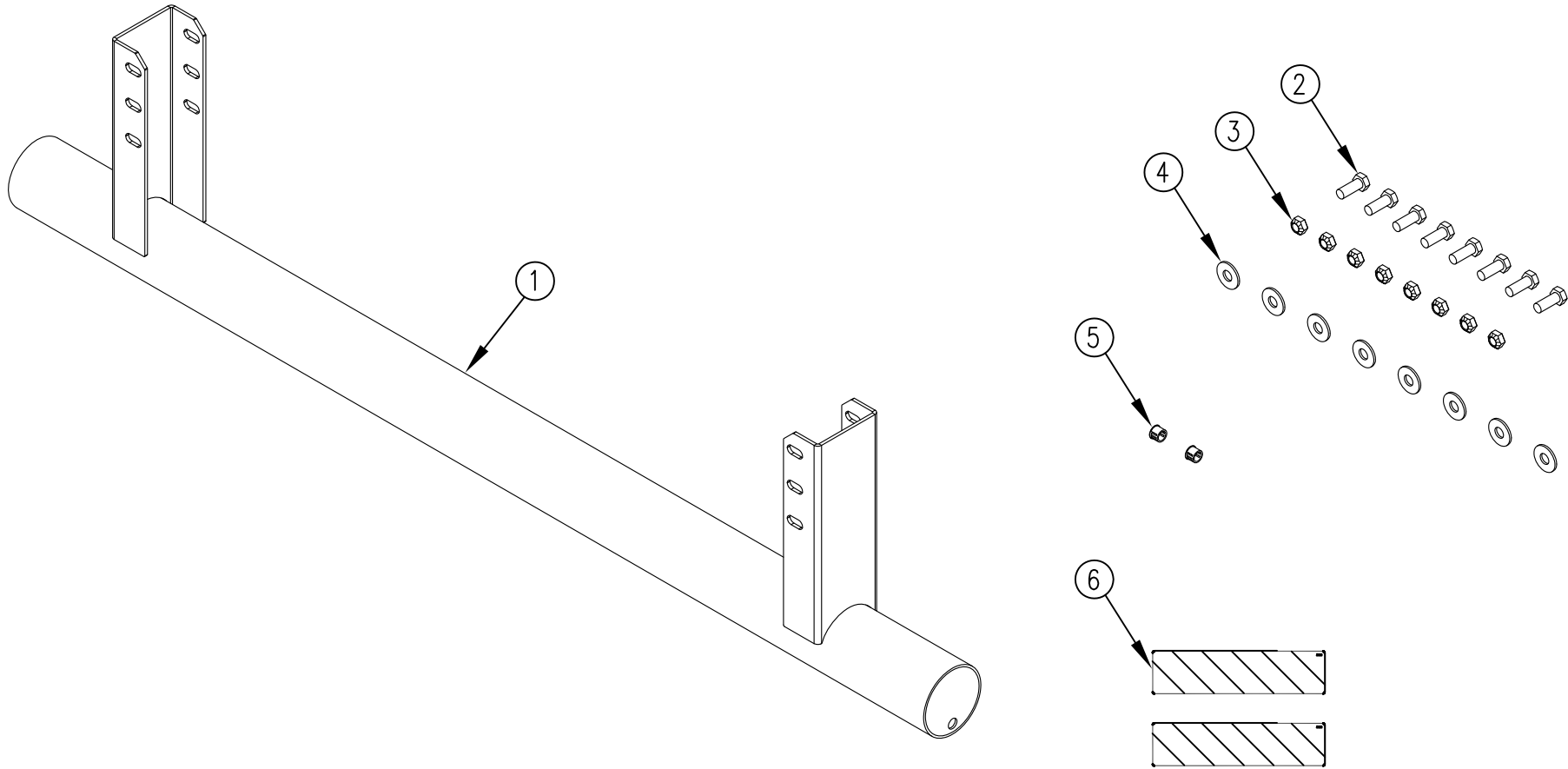


ITEM NO.	QTY.	PART NO.	DESCRIPTION
1	1	011596	UPPER ARM TUBE ASSY
2	8	000587	1/2-13x1" HHCS GR5
3	8	000588	1/2-13 CROWN LOCK NUT
4	8	000576	1/2" USS FLAT WASHER
5	2	003065	1/2" HEYCO PLUG
6	2	003081	WARNING TAPE DECAL



				THIRD ANGLE PROJECTION			FILENAME:		WOODBINE MFG. CO.															
							SYMBOLY PER ANSI Y14.5		BUS BROWN DRIVE															
				<table border="1"> <thead> <tr> <th>DECIMAL</th> <th>2PLC</th> <th>3PLC</th> </tr> </thead> <tbody> <tr> <td>MACHINE SAW, DRILL</td> <td>.030</td> <td>.015</td> </tr> <tr> <td>SHEAR, PUNCH FORM</td> <td>.060</td> <td>.030</td> </tr> <tr> <td>TORCH, WELDING ROUGH CAST</td> <td>.090</td> <td>.060</td> </tr> </tbody> </table>			DECIMAL	2PLC	3PLC	MACHINE SAW, DRILL	.030	.015	SHEAR, PUNCH FORM	.060	.030	TORCH, WELDING ROUGH CAST	.090	.060	DRAWN BY: JCB		NOTES:		WOODBINE, IOWA 51579	
DECIMAL	2PLC	3PLC																						
MACHINE SAW, DRILL	.030	.015																						
SHEAR, PUNCH FORM	.060	.030																						
TORCH, WELDING ROUGH CAST	.090	.060																						
				DRAWN/DATE: 3/11/14		712-647-2050																		
							APPVD/DATE		<small>THE INFORMATION HERE IS CONFIDENTIAL AND MUST NOT BE USED IN ANYWAY DETRIMENTAL TO THE INTEREST OF WOODBINE MFG.</small>															
A	3/11/14	RELEASED TO PRODUCTION		JCB		1075	TITLE: REPL. UPPER ARM TUBE ASSEMBLY (TUCKUNDER)																	
REV.	DATE	CHANGE RECORD		BY	APPVD	ECN	SALES CATEGORY	PRODUCT LINE	SCALE: 1:8	FIN. WT.	PART NO. 12920													