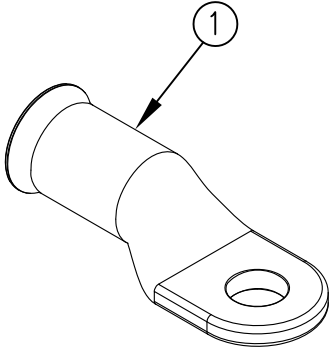


ITEM NO.	QTY.	PART NO.	DESCRIPTION
1	1	004691	COPPER LUG - 5/16 EYE



				THIRD ANGLE PROJECTION			FILENAME:			WOODBINE MFG. CO. BUS BROWN DRIVE WOODBINE, IOWA 51579																	
							SYMBOLY PER ANSI Y14.5			NOTES:																	
				<table border="1"> <thead> <tr> <th>DECIMAL</th> <th>2PLC</th> <th>3PLC</th> </tr> </thead> <tbody> <tr> <td>MACHINE SAW, DRILL</td> <td>.030</td> <td>.015</td> </tr> <tr> <td>SHEAR, PUNCH FORM</td> <td>.060</td> <td>.030</td> </tr> <tr> <td>TORCH, WELDING ROUGH CAST</td> <td>.090</td> <td>.060</td> </tr> </tbody> </table>			DECIMAL	2PLC	3PLC	MACHINE SAW, DRILL	.030	.015	SHEAR, PUNCH FORM	.060	.030	TORCH, WELDING ROUGH CAST	.090	.060	DRAWN BY. JCB			712-647-2050					
DECIMAL	2PLC	3PLC																									
MACHINE SAW, DRILL	.030	.015																									
SHEAR, PUNCH FORM	.060	.030																									
TORCH, WELDING ROUGH CAST	.090	.060																									
							DRAWN/DATE 3/14/14			THE INFORMATION HERE IS CONFIDENTIAL AND MUST NOT BE USED IN ANYWAY DETRIMENTAL TO THE INTEREST OF WOODBINE MFG.																	
							APPVD/DATE			TITLE																	
A 3/14/14				RELEASED TO PRODUCTION			JCB			REPLACEMENT 2GA COPPER LUG																	
REV. DATE				CHANGE RECORD			BY APPVD ECN			SALES CATEGORY			PRODUCT LINE	SCALE 1:1	FIN. WT.	PART NO. 12919											