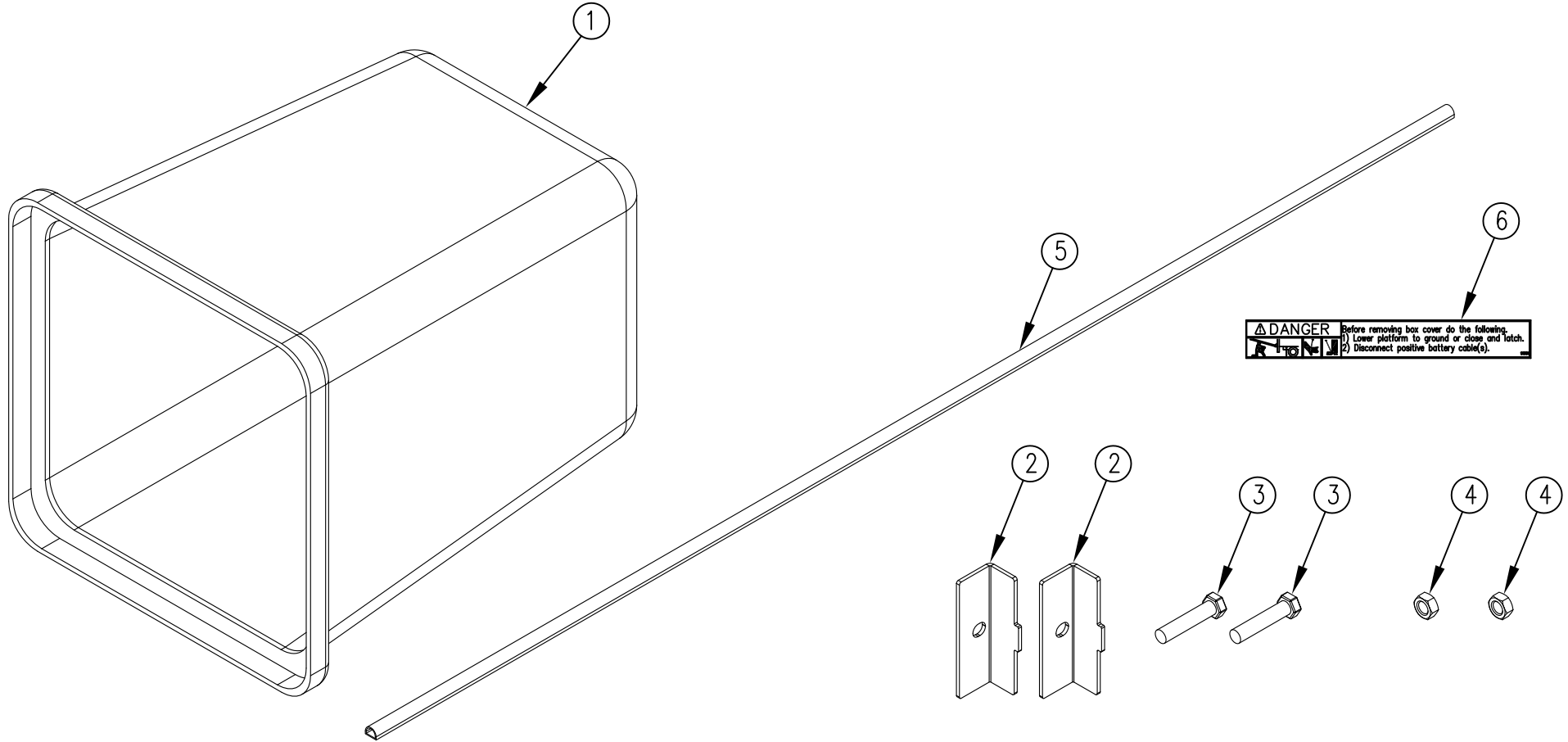


ITEM NO.	QTY.	PART NO.	DESCRIPTION
1	1	011624	3/16" BLACK LEVEL HAIR CELL ABS PLASTIC
2	2	013036	PLATED PUMP BOX LATCH
3	2	000535	3/8-16x1-1/2" HHCS GR5
4	2	000605	3/8-16 USS LOCK NUT
5	1	012838	36" BOX COVER SEAL
6	1	009556	BOX COVER DANGER DECAL



**⚠ DANGER** Before removing box cover do the following.  
 1) Lower platform to ground or close and latch.  
 2) Disconnect positive battery cable(s).

				THIRD ANGLE PROJECTION			FILENAME:			WOODBINE MFG. CO. BUS BROWN DRIVE WOODBINE, IOWA 51579																	
							SYMBOLY PER ANSI Y14.5						NOTES:														
				<table border="1"> <tr> <th>DECIMAL</th> <th>2PLC</th> <th>3PLC</th> </tr> <tr> <td>MACHINE SAW, DRILL</td> <td>.030</td> <td>.015</td> </tr> <tr> <td>SHEAR, PUNCH FORM</td> <td>.060</td> <td>.030</td> </tr> <tr> <td>TORCH, WELDING ROUGH CAST</td> <td>.090</td> <td>.060</td> </tr> </table>			DECIMAL	2PLC	3PLC	MACHINE SAW, DRILL	.030	.015				SHEAR, PUNCH FORM	.060	.030	TORCH, WELDING ROUGH CAST	.090	.060	DRAWN BY: JCB			APPVD/DATE		
DECIMAL	2PLC	3PLC																									
MACHINE SAW, DRILL	.030	.015																									
SHEAR, PUNCH FORM	.060	.030																									
TORCH, WELDING ROUGH CAST	.090	.060																									
				MACHINING FINISH			DRAWN/DATE 3/10/14			THE INFORMATION HERE IS CONFIDENTIAL AND MUST NOT BE USED IN ANYWAY DETRIMENTAL TO THE INTEREST OF WOODBINE MFG.																	
A	3/10/14	RELEASED TO PRODUCTION		JCB		1075	SALES CATEGORY						TITLE REPLACEMENT POWER UNIT COVER (TUCKUNDER)		PART NO. 12916												
REV.	DATE	CHANGE RECORD		BY	APPVD	ECN	DRAFT 2"		ANGULAR ±1"		PRODUCT LINE		SCALE 1:4		FIN. WT.												