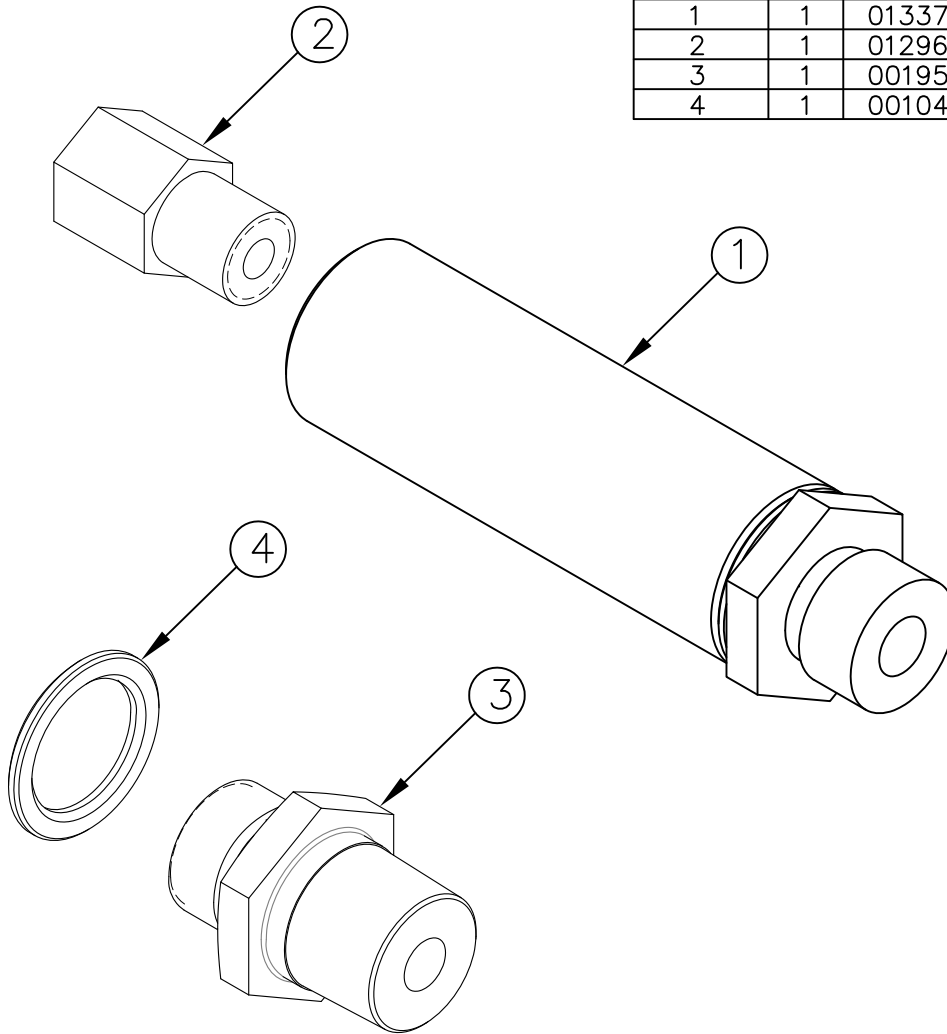


ITEM NO.	QTY.	PART NO.	DESCRIPTION
1	1	013373	FLOW CONTROL COM(#4 MORBx #4FORB x.078)
2	1	012964	#4 MORB TO #4 FEMALE NPT ADAPTOR
3	1	001953	1/4"x5/8-16 FLOW CONTROL ADAPTER
4	1	001041	.56"x.88" ALUMINUM WASHER



				THIRD ANGLE PROJECTION			FILENAME:		WOODBINE MFG. CO.																			
							SYMBOLY PER ANSI Y14.5		NOTES:																			
				<table border="1"> <thead> <tr> <th>DECIMAL</th> <th>2PLC</th> <th>3PLC</th> </tr> </thead> <tbody> <tr> <td>MACHINE SAW, DRILL</td> <td>.030</td> <td>.015</td> </tr> <tr> <td>SHEAR, PUNCH FORM</td> <td>.060</td> <td>.030</td> </tr> <tr> <td>TORCH, WELDING ROUGH CAST</td> <td>.090</td> <td>.060</td> </tr> <tr> <td>DRAFT 2'</td> <td colspan="2">ANGULAR ±1'</td> </tr> </tbody> </table>			DECIMAL	2PLC	3PLC	MACHINE SAW, DRILL	.030	.015	SHEAR, PUNCH FORM	.060	.030	TORCH, WELDING ROUGH CAST	.090	.060	DRAFT 2'	ANGULAR ±1'		DRAWN BY. GDB				712-647-2050		
DECIMAL	2PLC	3PLC																										
MACHINE SAW, DRILL	.030	.015																										
SHEAR, PUNCH FORM	.060	.030																										
TORCH, WELDING ROUGH CAST	.090	.060																										
DRAFT 2'	ANGULAR ±1'																											
B	11/12/13	ADDED (1) 012964, (1) 001953, AND (1) 001041		GDB	1004	DRAWN/DATE 2/22/13		<small>THE INFORMATION HERE IS CONFIDENTIAL AND MUST NOT BE USED IN ANYWAY DETRIMENTAL TO THE INTEREST OF WOODBINE MFG.</small>																				
A	7/18/13	RELEASED TO PRODUCTION		GDB	902	APPVD/DATE		TITLE REPLACEMENT FLOW CONTROL (#4 MORB X #4 FORB X 0.078)																				
REV.	DATE	CHANGE RECORD		BY	APPVD	ECN	SALES CATEGORY	PRODUCT LINE	SCALE N	FIN. WT. 0.4	PART NO. 012749																	