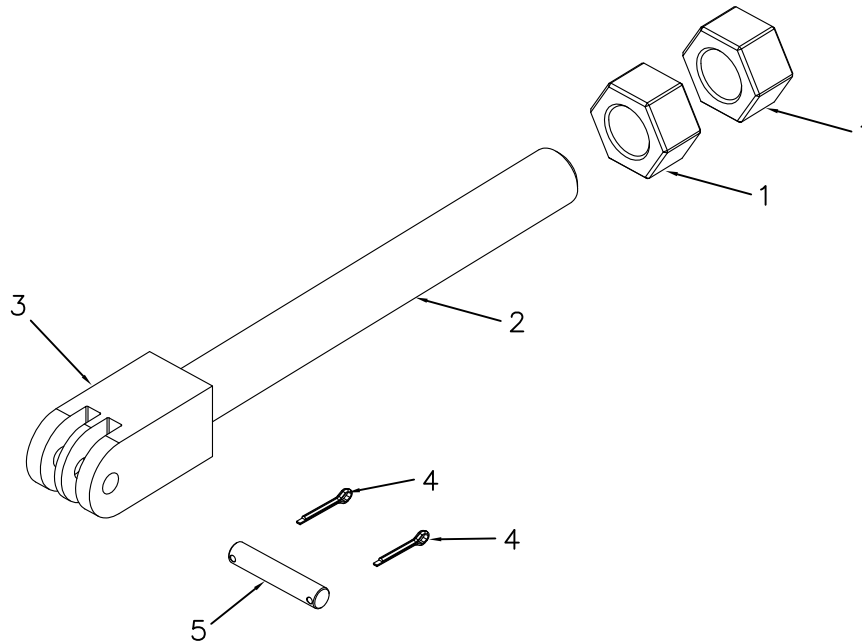


ITEM NO.	QTY.	PART NO.	DESCRIPTION
1	2	000552	5/8-18 SAE HEX FIN NUT
2	1	007667	.625"x5.75" CHAIN ADJUSTMENT BOLT
3	1	008212	CLEVIS LEAF TOWER (25/30) RAIL
4	2	009967	1/16"x1/2" COTTER PIN
5	1	008204	PIN LEAF CHAIN (25/30)



				THIRD ANGLE PROJECTION		FILENAME: KITS(Repair Parts)\Railgate\007947		WOODBINE MFG. CO. BUS BROWN DRIVE WOODBINE, IOWA 51579	
						SYMBOLY PER ANSI Y14.5		NOTES:	
				DECIMAL 2PLC 3PLC		DRAWN BY. JAR		712-647-2050	
				MACHINE SAW, DRILL .030 .015		DRAWN/DATE 10/17/11		THE INFORMATION HERE IS CONFIDENTIAL AND MUST NOT BE USED IN ANYWAY DETRIMENTAL TO THE INTEREST OF WOODBINE MFG.	
				SHEAR, PUNCH FORM .060 .030		APPVD/DATE		TITLE	
A 10/17/11 RELEASED TO PRODUCTION				JAR 529				LEAF CHAIN ADJUSTMENT SCREW, CLEVIS AND PIN	
REV. DATE CHANGE RECORD				BY APPVD ECN		SALES CATEGORY		PART NO. 11799	
				DRAFT 2'		ANGULAR ±1'		SCALE FIN. WT. N	