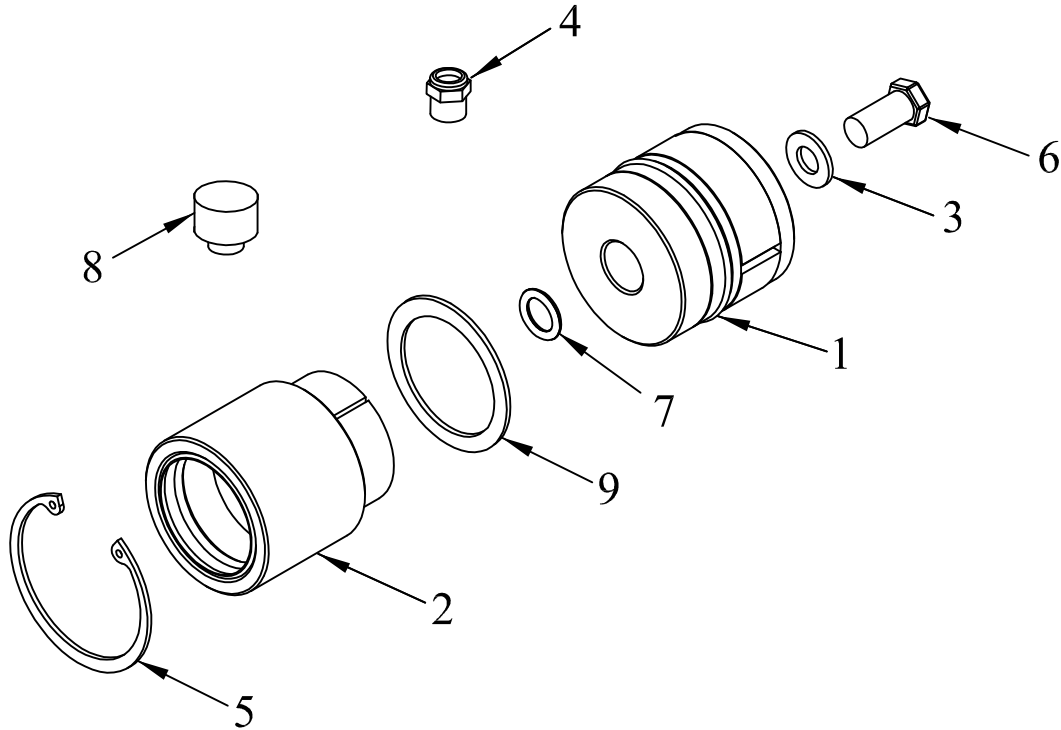


ITEM NO.	QTY.	PART NO.	DESCRIPTION
1	1	007444	1.980" PISTON W/ U-CUP & WEAR RING(RAIL)
2	1	010428	GUIDE BUSHING ASSEMBLY 2.13
3	1	000599	5/16 SAE THRU HARD WASHER
4	1	000600	VENT PLUG (RAIL G2)
5	1	010437	2.125" INTERNAL SNAP RING (N5000-212)
6	1	000586	5/16-18X3/4" HHCS GR 5
7	1	004556	5/8 O-RING 2-111
8	1	013675	CYLINDER PORT ASSEMBLY PLUG(RAIL) 25/30
9	1	010528	WASHER 0.093X1.587X2.119 ALUM
10	1	095086	RAIL 25/30 SERIES CYLINDER SEAL REPLACEMENT INST.



					THIRD ANGLE PROJECTION			FILENAME:		WOODBINE MFG. CO. BUS BROWN DRIVE WOODBINE, IOWA 51579																		
								SYMBOLGY PER ANSI Y14.5		NOTES:																		
					<table border="1"> <thead> <tr> <th>DECIMAL</th> <th>2PLC</th> <th>3PLC</th> </tr> </thead> <tbody> <tr> <td>MACHINE SAW, DRILL</td> <td>.030</td> <td>.015</td> </tr> <tr> <td>SHEAR, PUNCH FORM</td> <td>.060</td> <td>.030</td> </tr> <tr> <td>TORCH, WELDING ROUGH CAST</td> <td>.090</td> <td>.060</td> </tr> <tr> <td>DRAFT 2°</td> <td colspan="2">ANGULAR ±1°</td> </tr> </tbody> </table>			DECIMAL	2PLC	3PLC	MACHINE SAW, DRILL	.030	.015	SHEAR, PUNCH FORM	.060	.030	TORCH, WELDING ROUGH CAST	.090	.060	DRAFT 2°	ANGULAR ±1°		DRAWN BY: JAR		712-647-2050			
DECIMAL	2PLC	3PLC																										
MACHINE SAW, DRILL	.030	.015																										
SHEAR, PUNCH FORM	.060	.030																										
TORCH, WELDING ROUGH CAST	.090	.060																										
DRAFT 2°	ANGULAR ±1°																											
B 3/21/14 CHANGED PN1108 TO PN13675 MTC 1083					MACHINE SAW, DRILL			DRAWN/DATE 10/17/11		THE INFORMATION HERE IS CONFIDENTIAL AND MUST NOT BE USED IN ANYWAY DETRIMENTAL TO THE INTEREST OF WOODBINE MFG.																		
A 10/17/11 RELEASED TO PRODUCTION JAR 529					TORCH, WELDING ROUGH CAST			TITLE 2" CYLINDER REPAIR KIT (25/30 RAIL)																				
REV. DATE CHANGE RECORD BY APPVD ECN					DRAFT 2° ANGULAR ±1°			SCALE N		FIN. WT. PART NO. 11785																		