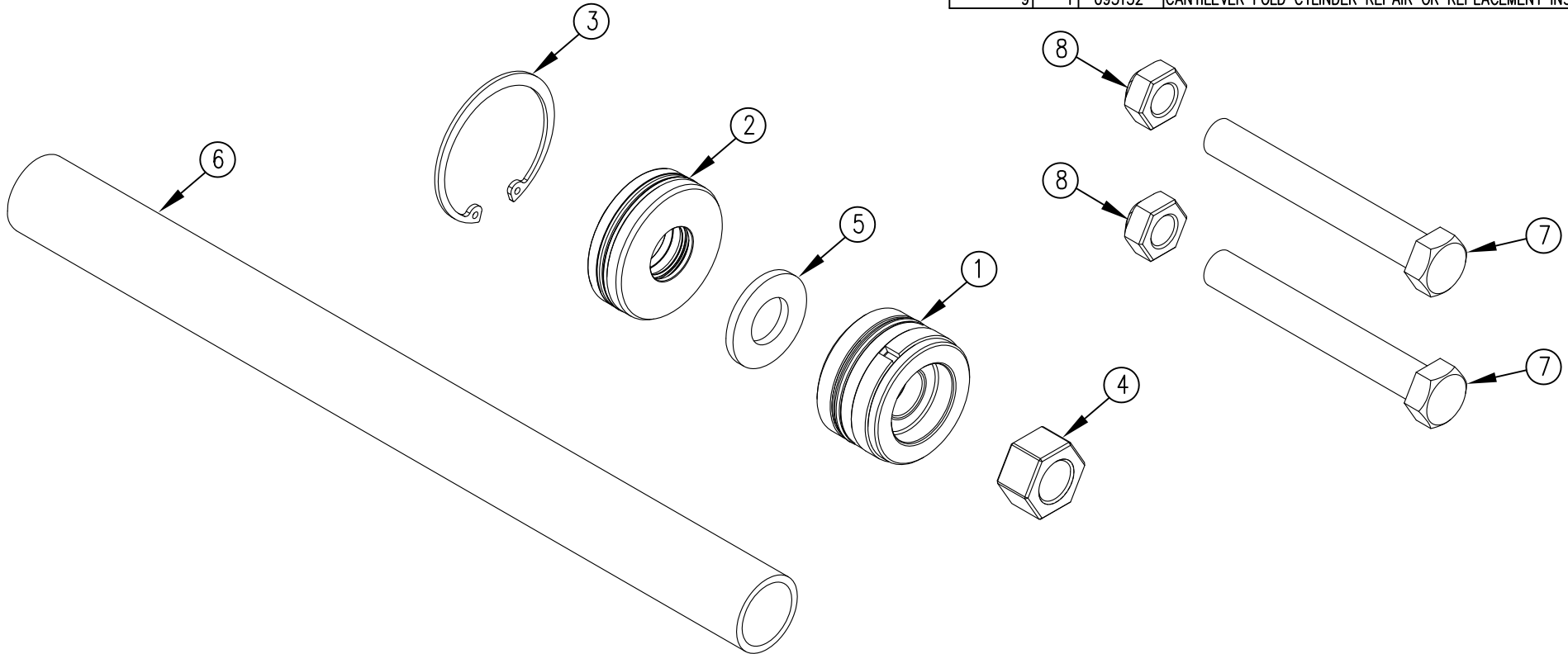



ITEM NO.	QTY.	PART NO.	DESCRIPTION
1	1	010753	PISTON w/SEALS DOUBLE ACTING (CANTILEVER)
2	1	003126	GUIDE BUSHING w/O-RINGS (40/50) G2
3	1	002314	1-7/8" INTERNAL SNAP RING(G2-50)
4	1	000552	5/8-18 SAE HEX FIN NUT
5	1	000577	5/8" SAE FLATWASHER
6	1	000763	CYLINDER SHAFT PROTECTIVE SLEEVE
7	2	010494	1/2-13 X 3-3/4" HHCS GR 8 PL
8	2	000588	1/2 CROWN LOCK NUT
9	1	095152	CANTILEVER FOLD CYLINDER REPAIR OR REPLACEMENT INSTR.



NOTE: ACCOUNTING DO NOT INCLUDE 763 IN BOM

REV.	DATE	CHANGE RECORD	BY	APPVD	ECN	THIRD ANGLE PROJECTION	FILENAME:	SYMBOLY PER ANSI Y14.5	NOTES:	WOODBINE MFG. CO. BUS BROWN DRIVE WOODBINE, IOWA 51579 712-647-2050
B	1/16/15	ADDED 95152	JCB		1300	DECIMAL MACHINE SAW,DRILL		.030 .015		 <p>THE INFORMATION HERE IS CONFIDENTIAL AND MUST NOT BE USED IN ANYWAY DETRIMENTAL TO THE INTEREST OF WOODBINE MFG.</p>
A.1	9/3/14	ADDED NOTE	GDB			SHEAR, PUNCH FORM		.060 .030	DRAWN BY: JCB DRAWN/DATE: 8/3/11	
A	8/3/11	RELEASED TO PRODUCTION	JCB		450	TORCH, WELDING ROUGH CAST		.090 .060	APPVD/DATE: TITLE: FOLD CYLINDER SEAL REPAIR KIT (CANTILEVER)	
						DRAFT 2°		ANGULAR ±1°	SALES CATEGORY: PRODUCT LINE: SCALE: 1:2 FIN. WT. PART NO. 11453	