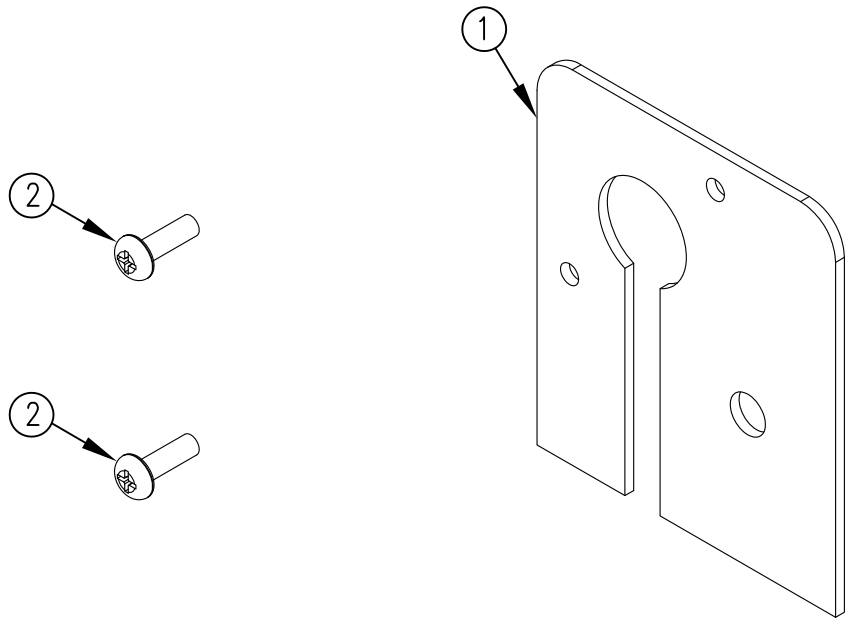


ITEM NO.	QTY.	PART NO.	DESCRIPTION
1	1	010034	CONTROL MOUNTING PLATE (SPRINTER)
2	2	000747	1/4-20x3/4" PN HD TY FS



						THIRD ANGLE PROJECTION	FILENAME:	WOODBINE MFG. CO.	
							SYMBOLY PER ANSI Y14.5	BUS BROWN DRIVE	
						DECIMAL	NOTES:	WOODBINE, IOWA 51579	
						2PLC		712-647-2050	
						3PLC			
						MACHINE SAW, DRILL		.030	.015
						SHEAR, PUNCH FORM	.060	.030	
						TORCH, WELDING ROUGH CAST	.090	.060	
A	8/1/11	RELEASED TO PRODUCTION	JCB		450	DRAFT 2°	ANGULAR ±1°	SALES CATEGORY	
REV.	DATE	CHANGE RECORD	BY	APPVD	ECN	TITLE		PRODUCT LINE	
								REPL. CANTILEVER PENDANT MTG BRACKET (SPRINTER)	SCALE
								1:2	FIN. WT.
								PART NO.	11446