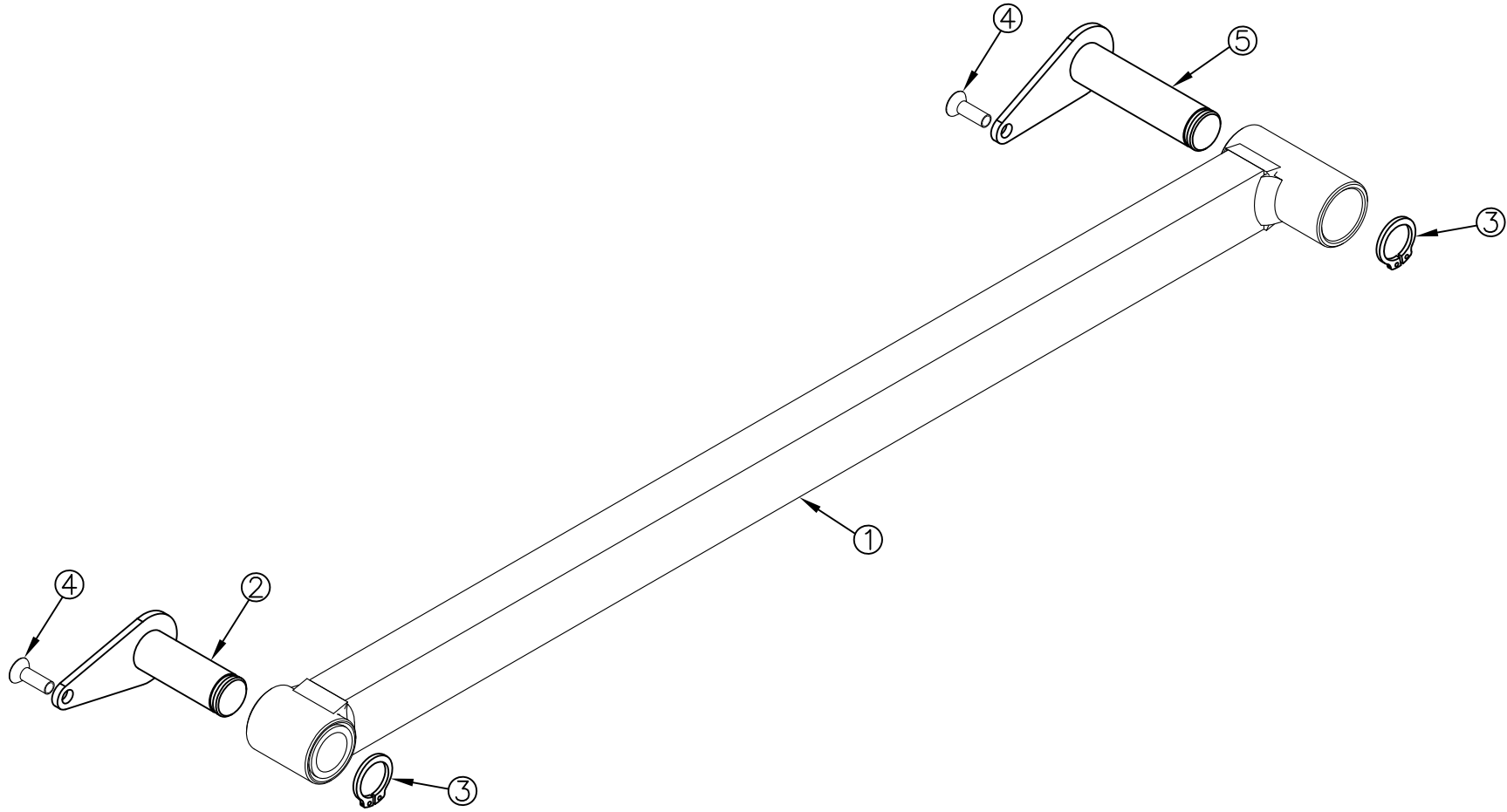


ITEM NO.	QTY.	PART NO.	DESCRIPTION
1	1	010676	G2 LOWER ARM w/BUSHINGS(42)
2	1	002879	G2 .75"DIA.x2.109"PIN w/KEEPER
3	2	002025	3/4" EXTERNAL SNAP RING(G2) PLATED
4	2	000756	1/4-20x3/4" PH FH TYP F SS
5	1	002050	G2 .75"DIA.x3.047"PIN w/KEEPER(40)



				THIRD ANGLE PROJECTION			FILENAME:		WOODBINE MFG. CO.															
							SYMBOLY PER ANSI Y14.5		BUS BROWN DRIVE															
				<table border="1"> <thead> <tr> <th>DECIMAL</th> <th>2PLC</th> <th>3PLC</th> </tr> </thead> <tbody> <tr> <td>MACHINE SAW, DRILL</td> <td>.030</td> <td>.015</td> </tr> <tr> <td>SHEAR, PUNCH FORM</td> <td>.060</td> <td>.030</td> </tr> <tr> <td>TORCH, WELDING ROUGH CAST</td> <td>.090</td> <td>.060</td> </tr> </tbody> </table>			DECIMAL	2PLC	3PLC	MACHINE SAW, DRILL	.030	.015	SHEAR, PUNCH FORM	.060	.030	TORCH, WELDING ROUGH CAST	.090	.060	DRAWN BY. JCB		NOTES:		WOODBINE, IOWA 51579	
DECIMAL	2PLC	3PLC																						
MACHINE SAW, DRILL	.030	.015																						
SHEAR, PUNCH FORM	.060	.030																						
TORCH, WELDING ROUGH CAST	.090	.060																						
				DRAWN/DATE 6/3/11		712-647-2050																		
							APPVD/DATE		THE INFORMATION HERE IS CONFIDENTIAL AND MUST NOT BE USED IN ANYWAY DETRIMENTAL TO THE INTEREST OF WOODBINE MFG.															
A	6/3/11	RELEASED TO PRODUCTION			JCB	449	TITLE		G2-42 REPLACEMENT LOWER ARM w/PINS & BUSHINGS															
REV.	DATE	CHANGE RECORD			BY	APPVD	ECN	SALES CATEGORY	PRODUCT LINE	SCALE	FIN. WT.	PART NO.												
										1:3		11305												