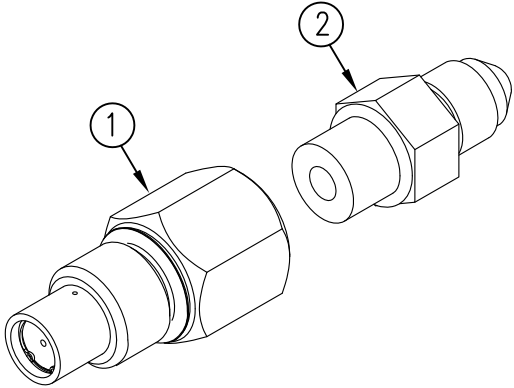


ITEM NO.	QTY.	PART NO.	DESCRIPTION
1	1	013235	G2 FLOW CONTROL COMPLETE
2	1	010293	04MORB-04MJIC ADAPTER



						THIRD ANGLE PROJECTION	FILENAME:	WOODBINE MFG. CO.	
							SYMBOLY PER ANSI Y14.5	BUS BROWN DRIVE	
						DECIMAL	DRAWN BY: JCB	NOTES:	
						2PLC			
						3PLC			
						MACHINE SAW, DRILL			
						SHEAR, PUNCH FORM	DRAWN/DATE	712-647-2050	
						TORCH, WELDING ROUGH CAST	7/27/11		
							APPVD/DATE		
A	7/27/11	RELEASED TO PRODUCTION	JCB		450		TITLE	THE INFORMATION HERE IS CONFIDENTIAL AND MUST NOT BE USED IN ANYWAY DETRIMENTAL TO THE INTEREST OF WOODBINE MFG.	
REV.	DATE	CHANGE RECORD	BY	APPVD	ECN	DRAFT 2'	REPLACEMENT CANTILEVER FLOW CONTROL		
						ANGULAR ±1'	SALES CATEGORY	PRODUCT LINE	
							SCALE	FIN. WT.	
							1:1	PART NO. 11281	