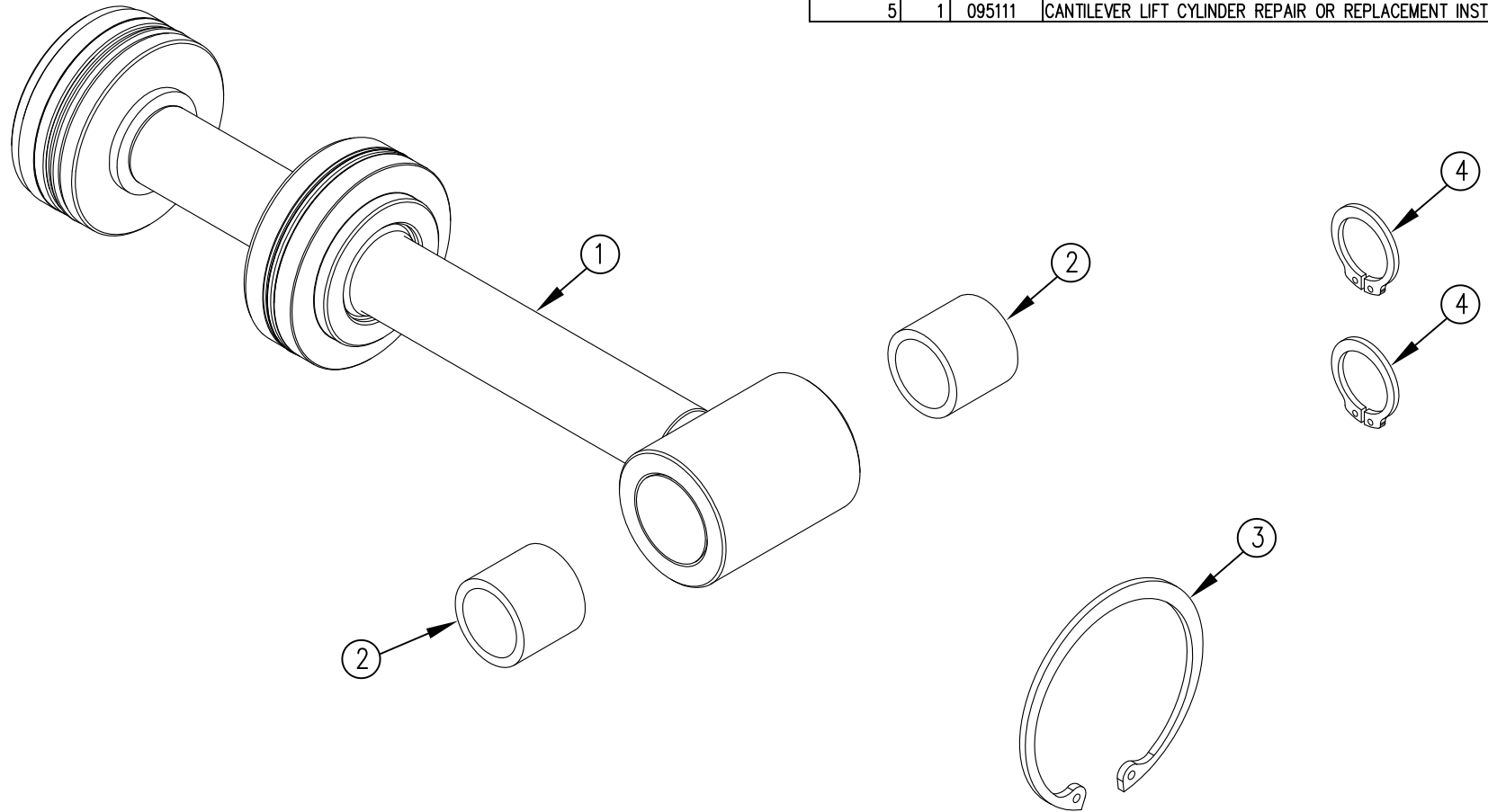


ITEM NO.	QTY.	PART NO.	DESCRIPTION
1	1	010291	CANTILEVER LIFT CYLINDER SHAFT COMPLETE
2	2	004145	0.8805 ID X 1.1275 OD X 1.000 BUSHING
3	1	010292	2.625" INTERNAL SNAP RING(CANTILEVER)
4	2	002026	7/8" EXTERNAL SNAP RING
5	1	095111	CANTILEVER LIFT CYLINDER REPAIR OR REPLACEMENT INSTRUCTIONS



REV.		DATE	CHANGE RECORD	BY	APPVD	ECN	THIRD ANGLE PROJECTION		FILENAME:	WOODBINE MFG. CO. BUS BROWN DRIVE WOODBINE, IOWA 51579			
									SYMBOLY PER ANSI Y14.5		NOTES: _____ _____ _____ _____ _____		
							DECIMAL	2PLC	3PLC	DRAWN BY.			
							MACHINE SAW, DRILL	.030	.015	JCB			
							SHEAR, PUNCH FORM	.060	.030	DRAWN/DATE			
B	1/16/15		ADDED 95111	JCB		1300	TORCH, WELDING ROUGH CAST	.090	.060	8/3/11			
							DRAFT	ANGULAR		APPVD/DATE		TITLE	
							2"	±1"		LIFT CYLINDER SHAFT KIT (CANTILEVER)			
									SALES CATEGORY	PRODUCT LINE	SCALE	FIN. WT.	PART NO.
											1:2		11279

712-647-2050

THE INFORMATION HERE IS CONFIDENTIAL AND MUST NOT BE USED IN ANYWAY DETRIMENTAL TO THE INTEREST OF WOODBINE MFG.